

# R-2000iC/165R



Max. load capacity at wrist: 165 kg



Max. reach: 3095mm

# FANUC

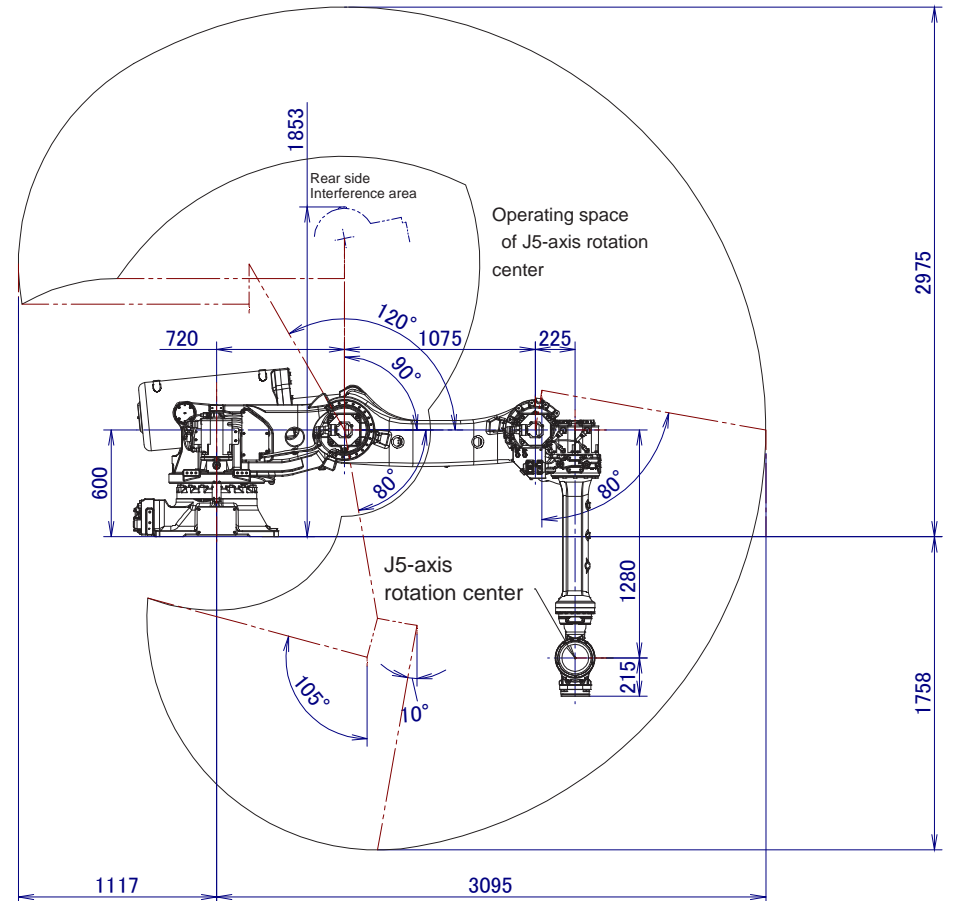
Robot			Max. load capacity at wrist (kg)	Reach (mm)	Controlled axes	Repeatability (mm)	Mechanical weight (kg)	Motion range (°)						Maximum speed (°/s)						J4 Moment/ Inertia	J5 Moment/ Inertia	J6 Moment/ Inertia	Average Power consumption (kW)	Protection	
Series	Version	Type						J1	J2	J3	J4	J5	J6	J1	J2	J3	J4	J5	J6					Body standard/optional	Wrist & J3 arm standard/optional
R-2000	iC	165R	165	3095	6	±0.05**	1370	370	200	375	720	250	720	115	110	125	180	180	260	940/89	940/89	490/46	2.5	IP54/ IP56	IP67

● standard ○ on request - not available ( ) with hardware and/or software option \*1) depending on rail specification \*\* Based on ISO9283

R-2000iC/165R Rack mount



R-2000iC/165R



**MOTION CONTROLS ROBOTICS**  
 1500 Walter Ave, Fremont, OH 43420

Authorized FANUC System Integrator  
 Certified Service Provider

Contact Sales  
 419.334.5886  
 sales@mcri-us.com  
 Click for a quote  
 motioncontrolsrobotics.com