

M-410*i*B/140H



Max. load capacity
at wrist: 140 kg



Max. reach:
2850 mm

FANUC

Robot			Max. load capacity at wrist (kg)	Reach (mm)	Controlled axes	Repeatability (mm)	Mechanical weight (kg)	Motion range (°)						Maximum speed (°/s)						J4 Moment/Inertia	J5 Moment/Inertia	J6 Moment/Inertia	Average Power consumption (kW)	Protection	
Series	Version	Type						J1	J2	J3	J4	J5	J6	J1	J2	J3	J4	J5	J6					Body standard/optional	Wrist & J3 arm standard/optional
M-410	iB	140H	140	2850	5	±0.05	1200	360	155	112	20	720	-	140	115	135	135	420	-	147	53	-	3	IP54	IP54

● standard ○ on request - not available ** Based on ISO9283

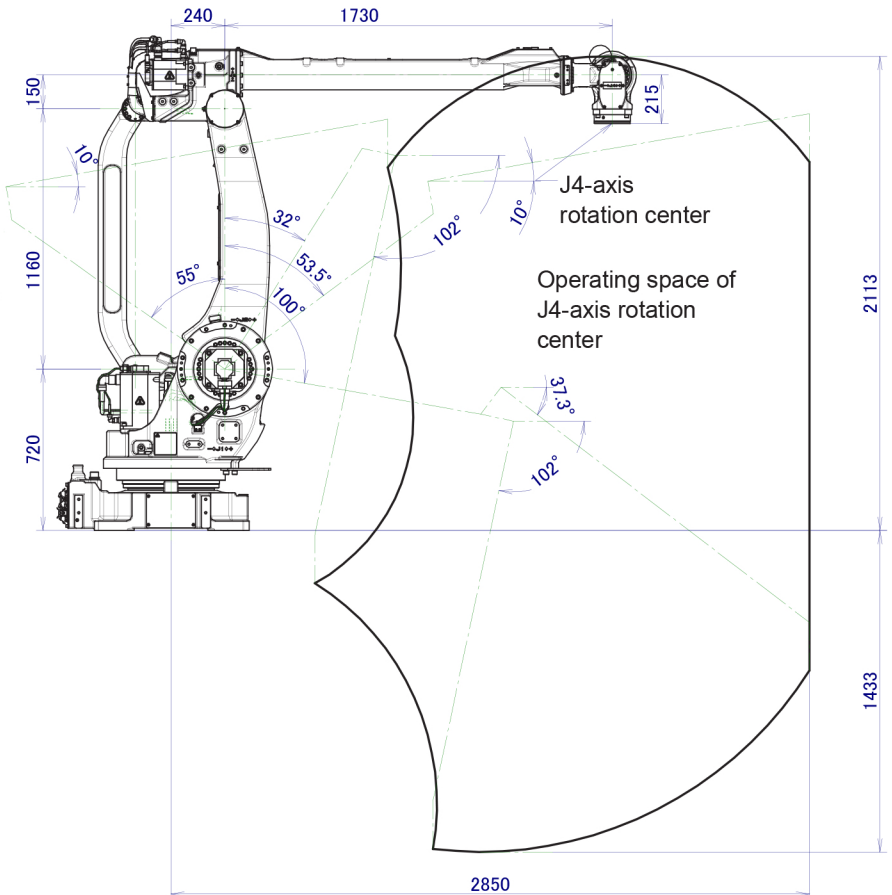
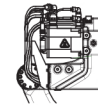
M-410*i*B/140H

5-axis



M-410*i*B/140H

J3-axis rear side
Interference area



MOTION CONTROLS ROBOTICS
1500 Walter Ave, Fremont, OH 43420

Authorized FANUC SYSTEM Integrator
CERTIFIED SERVICE PROVIDER

Contact Sales
419.334.5886
sales@mcri-us.com
Click for a quote
motioncontrolsrobotics.com