

M-900iB/280



Max. load capacity at wrist: 280 kg



Max. reach: 2655 mm

FANUC

Robot			Max. load capacity at wrist (kg)	Reach (mm)	Controlled axes	Repeatability (mm)	Mechanical weight (kg)	Motion range (°)						Maximum speed (°/s)						J4 Moment/Inertia (Nm/kgm ²)	J5 Moment/Inertia (Nm/kgm ²)	J6 Moment/Inertia (Nm/kgm ²)	Average Power consumption (kW)	Protection	
Series	Version	Type						J1	J2	J3	J4	J5	J6	J1	J2	J3	J4	J5	J6					Body standard optional	Wrist & J3 arm standard/optional
M-900	iB	280	280	2655	6	±0.1**	1700	370	151	224	720	250	720	110	105	100	110	110	180	1960/260 (460)	1960/260 (460)	1050/160 (360)	3	IP54/ IP56	IP67

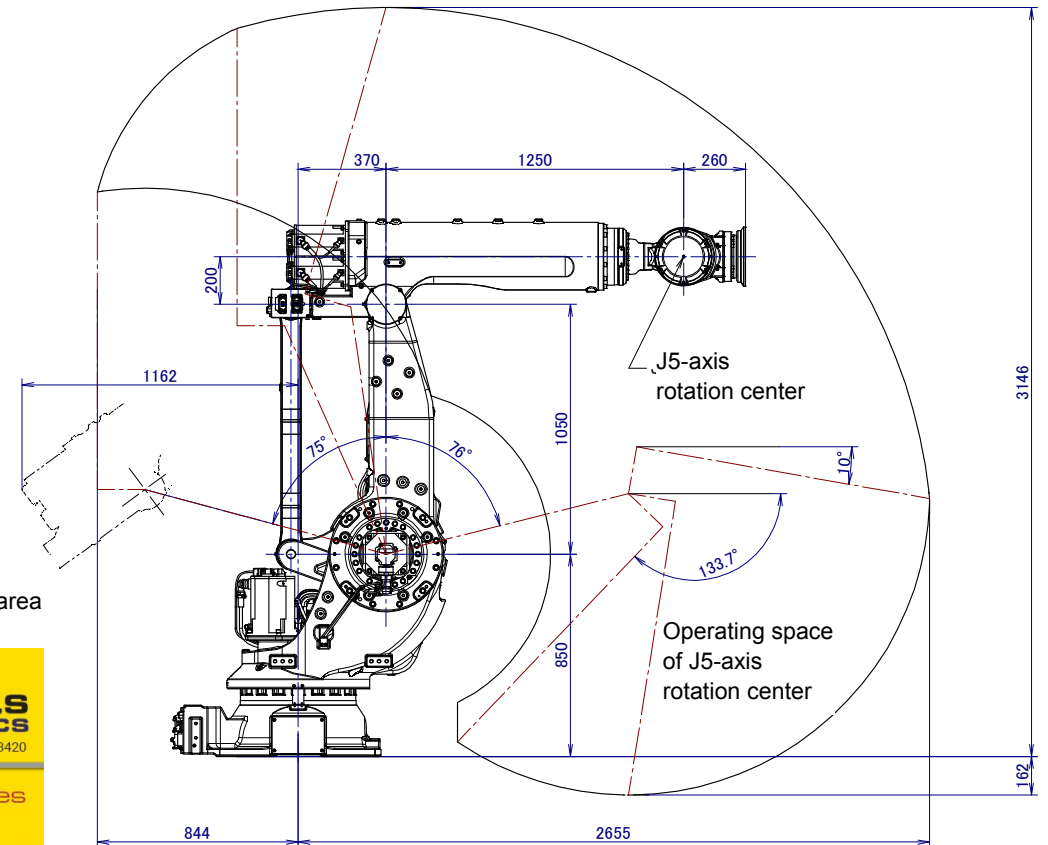
● standard ○ on request - not available () with hardware and/or software option ** Based on ISO9283

M-900iB/280

High rigidity model



M-900iB/280



MOTION CONTROLS ROBOTICS
 1500 Walter Ave, Fremont, OH 43420

Authorized FANUC System Integrator
 Certified Vision Specialist
 Certified Service Provider

Contact Sales
 419.334.5886
 sales@mcri-us.com
 Click for a quote
 motioncontrolsrobotics.com