

M-900iB/360



Max. load capacity
at wrist: 360 kg



Max. reach:
2655 mm

FANUC

| Robot | | | Max. load capacity at wrist (kg) | Reach (mm) | Controlled axes | Repeatability (mm) | Mechanical weight (kg) | Motion range (°) | | | | | | Maximum speed (°/s) | | | | | | J4 Moment/ Inertia | J5 Moment/ Inertia | J6 Moment/ Inertia | Average Power consumption (kW) | Protection | |
|--------|---------|------|----------------------------------|------------|-----------------|--------------------|------------------------|------------------|-----|-----|-----|-----|-----|---------------------|-----|-----|-----|-----|-----|--------------------|--------------------|--------------------|--------------------------------|------------------------|----------------------------------|
| Series | Version | Type | | | | | | J1 | J2 | J3 | J4 | J5 | J6 | J1 | J2 | J3 | J4 | J5 | J6 | | | | | Body standard/optional | Wrist & J3 arm standard/optional |
| M-900 | iB | 360 | 360 | 2655 | 6 | ±0.1** | 1540 | 370 | 151 | 224 | 720 | 250 | 720 | 110 | 105 | 100 | 110 | 110 | 180 | 1960/260 | 1960/260 | 1050/160 | 3 | IP54/ IP56 | IP67 |

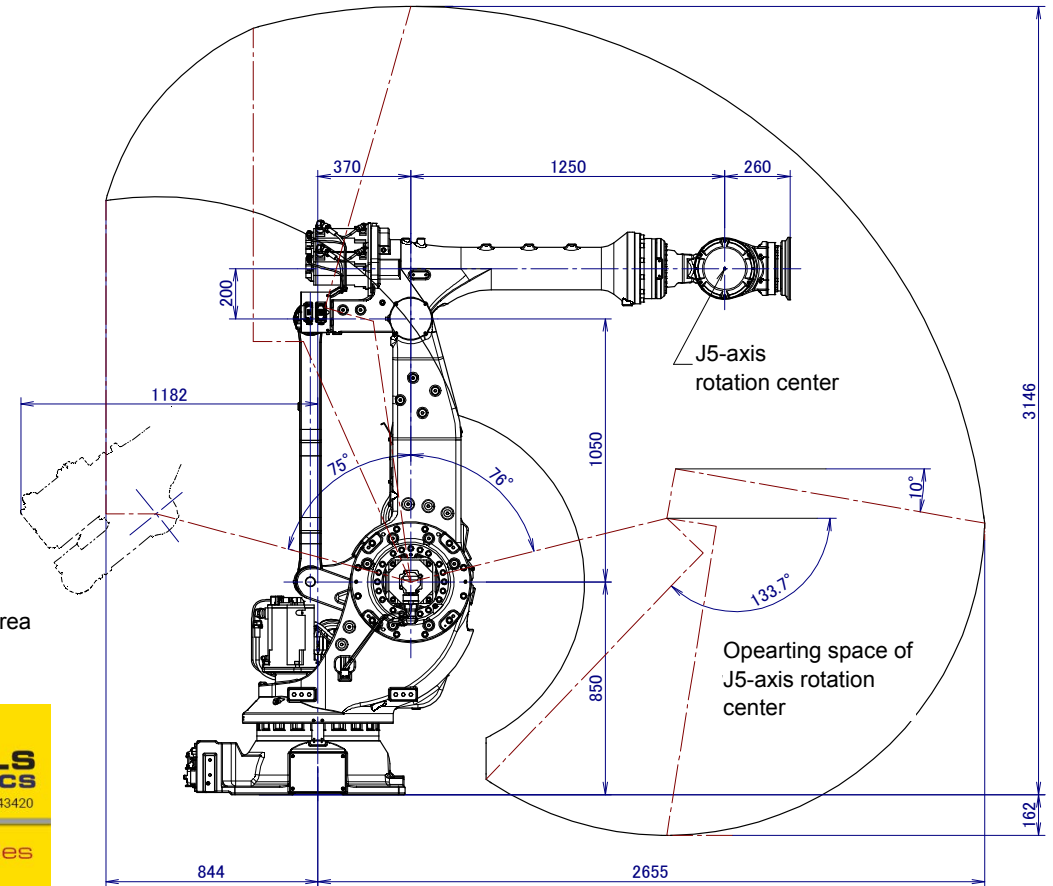
● standard ○ on request - not available | with hardware and/or software option ** Based on ISO9283

M-900iB/360

Standard model



M-900iB/360



Rear side
Interference area

Opening space of
J5-axis rotation
center

**MOTION CONTROLS
ROBOTICS**
1500 Walter Ave, Fremont, OH 43420

FANUC
AUTHORIZED SYSTEM INTEGRATOR
CERTIFIED SERVICE PROVIDER

Contact Sales
419.334.5886
sales@mcri-us.com
Click for a quote
motioncontrolsrobotics.com