

M-20iB/35S



Max. load capacity at wrist: 35 kg



Max. reach: 1445 mm

FANUC

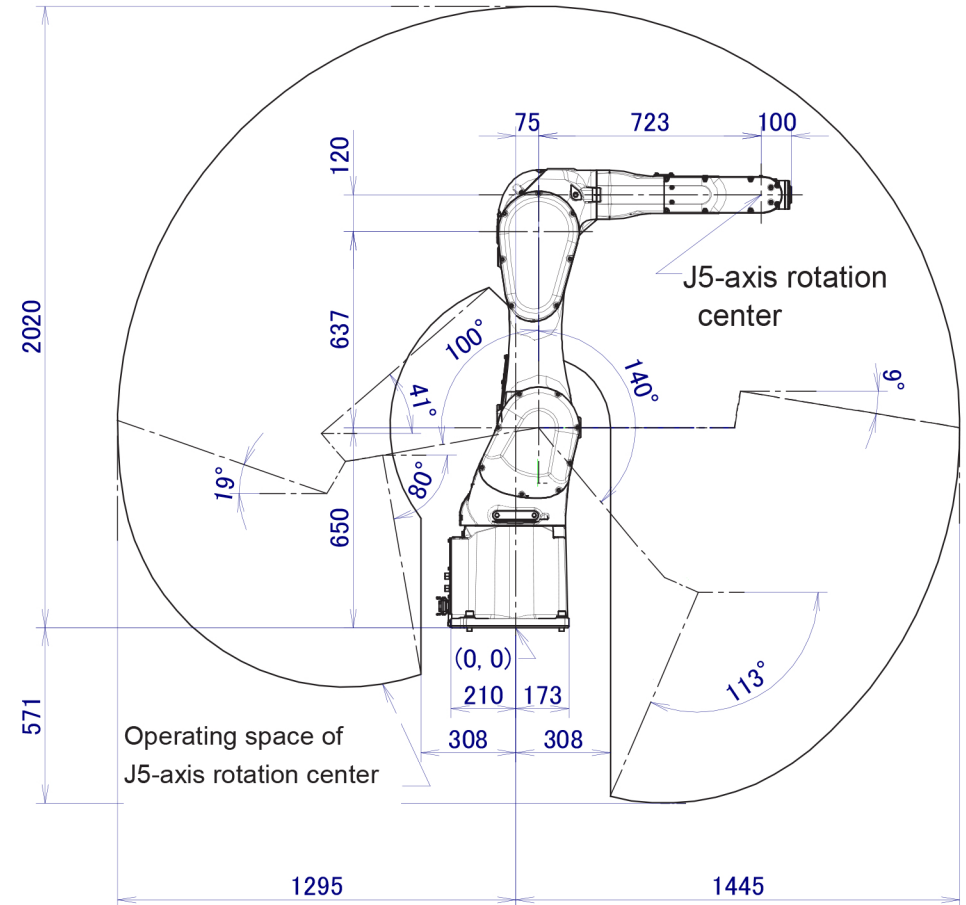
Robot			Max. load capacity at wrist (kg)	Reach (mm)	Controlled axes	Repeatability (mm)	Mechanical weight (kg)	Motion range (°)						Maximum speed (°/s)						J4 Moment/Inertia	J5 Moment/Inertia	J6 Moment/Inertia	Average Power consumption (kW)	Protection	
Series	Version	Type						J1	J2	J3	J4	J5	J6	J1	J2	J3	J4	J5	J6					Body standard/optional	Wrist & J3 arm standard/optional
M-20	iB	35S	35	1445	6	±0.02**	205	340 (360)	240	301.5	400	260	540	205	205	260	415	415	880	51/2.2	51/2.2	31/1.2	1	IP67	IP67

● standard ○ on request - not available ** Based on ISO9283

M-20iB/35S Short arm



M-20iB/35S



MOTION CONTROLS ROBOTICS
 1500 Walter Ave, Fremont, OH 43420

Authorized FANUC Certified Service Provider

Contact Sales
 419.334.5886
 sales@mcri-us.com
 Click for a quote
 motioncontrolsrobotics.com