

M-2000iA/1200



Max. load capacity
at wrist: 1200 kg



Max. reach:
3734 mm

FANUC

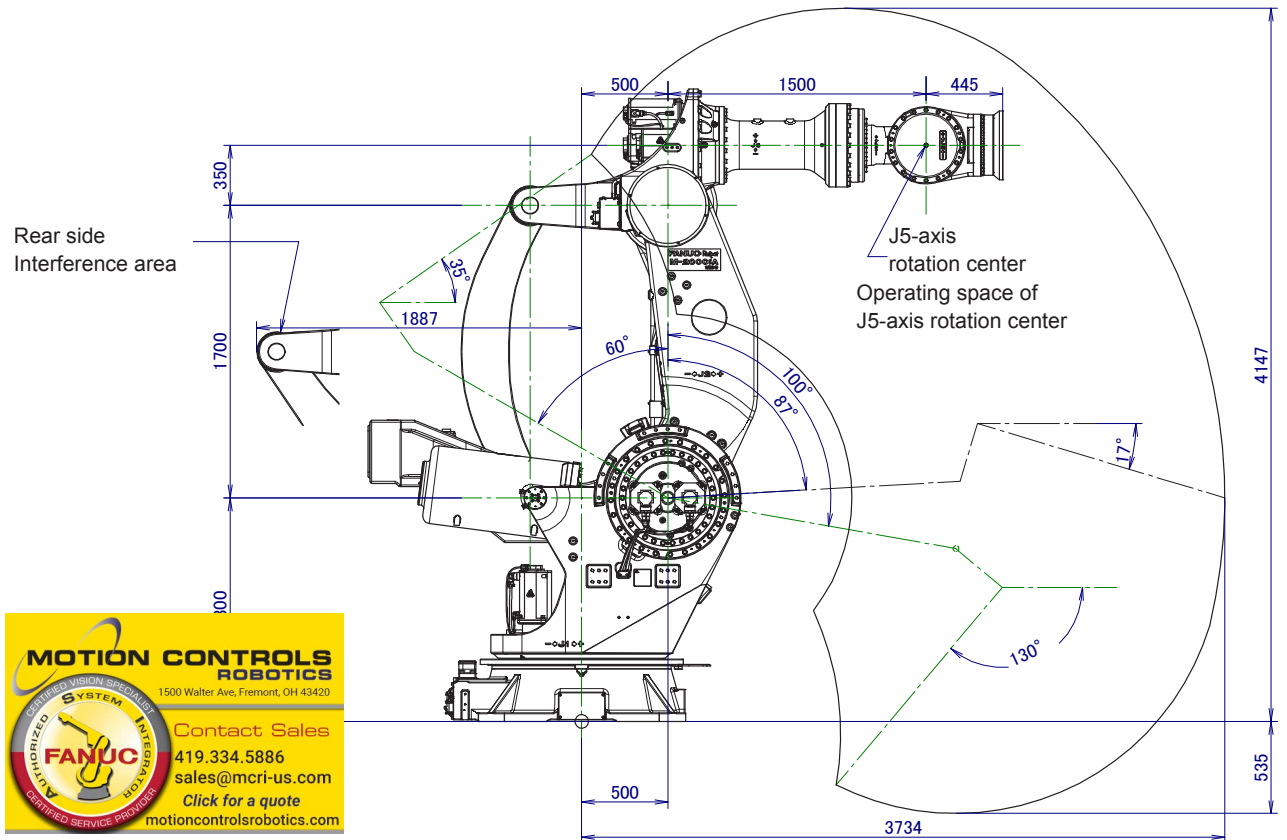
| Robot | | | Max. load capacity at wrist (kg) | Reach (mm) | Controlled axes | Repeatability (mm) | Mechanical weight (kg) | Motion range (°) | | | | | | Maximum speed (°/s) | | | | | | J4 Moment/ Inertia | J5 Moment/ Inertia | J6 Moment/ Inertia | Average Power consumption (kW) | Protection | |
|--------|---------|------|----------------------------------|------------|-----------------|--------------------|------------------------|------------------|-----|-----|-----|-----|-----|---------------------|----|----|----|----|----|--------------------|--------------------|--------------------|--------------------------------|------------------------|----------------------------------|
| Series | Version | Type | | | | | | J1 | J2 | J3 | J4 | J5 | J6 | J1 | J2 | J3 | J4 | J5 | J6 | | | | | Body standard/optional | Wrist & J3 arm standard/optional |
| M-2000 | iA | 1200 | 1200 (1350)* | 3734 | 6 | ± 0.18** | 8600 | 330 | 160 | 165 | 720 | 240 | 720 | 45 | 30 | 30 | 50 | 50 | 70 | 14700/ 2989 | 14700/ 2989 | 4900/ 2195 | 8 | IP54/ IP56 | IP67 |

● standard ○ on request - not available () with hardware and/or software option ** based on ISO9283 * option

M-2000iA/1200 Standard model



M-2000iA/1200



MOTION CONTROLS ROBOTICS
 1500 Walter Ave, Fremont, OH 43420
 Contact Sales
 419.334.5886
 sales@mcri-us.com
 Click for a quote
 motioncontrolsrobotics.com