

M-2000iA/1700L



Max. load capacity at wrist: 1700 kg



Max. reach: 4683 mm

FANUC

| Robot | | | Max. load capacity at wrist (kg) | Reach (mm) | Controlled axes | Repeatability (mm) | Mechanical weight (kg) | Motion range (°) | | | | | | Maximum speed (°/s) | | | | | | J4 Moment/ Inertia | J5 Moment/ Inertia | J6 Moment/ Inertia | Average Power consumption (kW) | Protection | |
|--------|---------|-------|----------------------------------|------------|-----------------|--------------------|------------------------|------------------|-----|-----|-----|-----|-----|---------------------|----|----|----|----|----|--------------------|--------------------|--------------------|--------------------------------|------------------------|----------------------------------|
| Series | Version | Type | | | | | | J1 | J2 | J3 | J4 | J5 | J6 | J1 | J2 | J3 | J4 | J5 | J6 | | | | | Body standard/optional | Wrist & J3 arm standard/optional |
| M-2000 | iA | 1700L | 1700 | 4683 | 6 | ±0.27** | 12500 | 330 | 160 | 165 | 720 | 240 | 720 | 20 | 14 | 14 | 18 | 18 | 40 | 29400/7500 | 29400/7500 | 8820/5500 | 8 | IP54/ IP56 | IP67 |

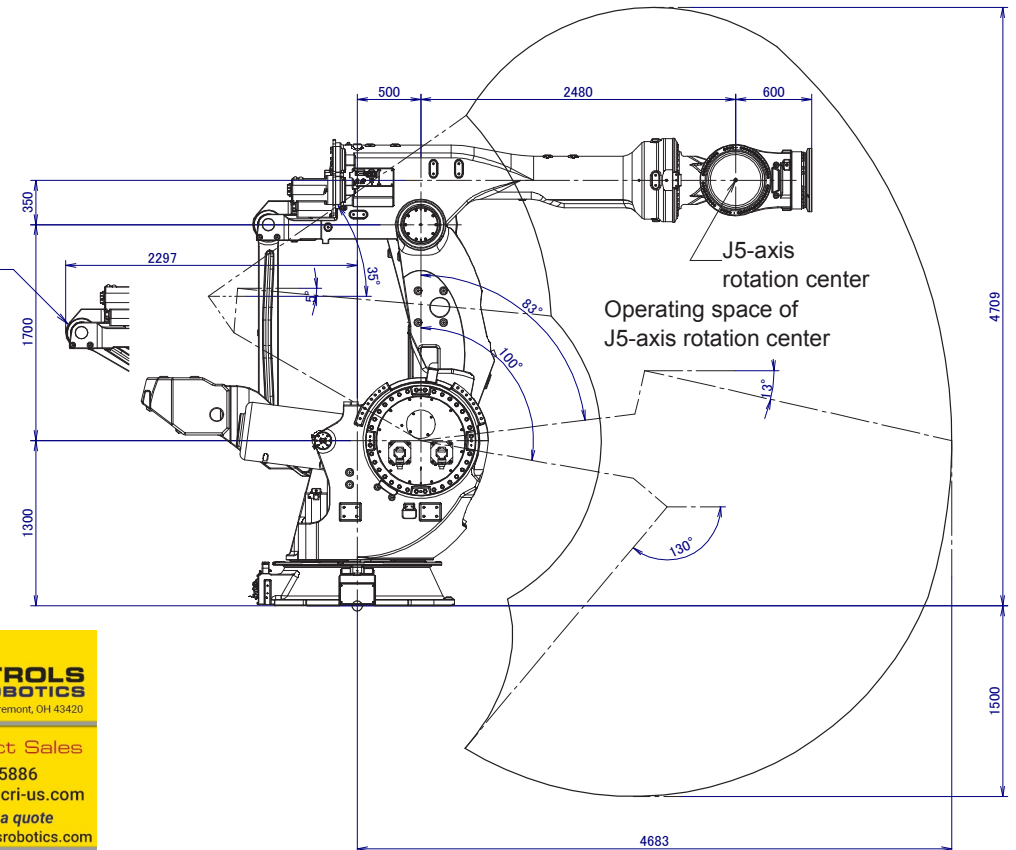
● standard ○ on request - not available () with hardware and/or software option ** Based on ISO9283

M-2000iA/1700L Long arm



M-2000iA/1700L

Rear side Interference area



MOTION CONTROLS ROBOTICS
 1500 Walter Ave, Fremont, OH 43420
 Contact Sales
 419.334.5886
 sales@mcri-us.com
 Click for a quote
 motioncontrolsrobotics.com