

# M-2000iA/900L



Max. load capacity at wrist: 900 kg



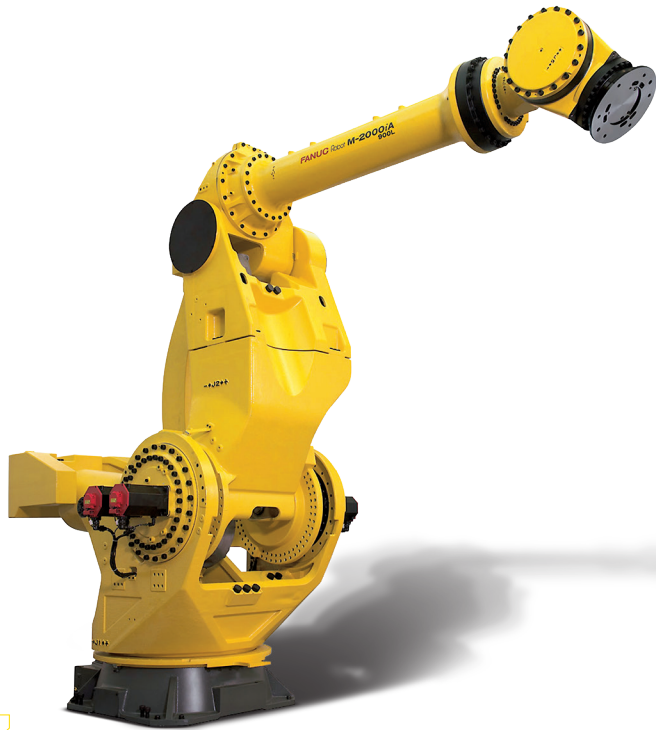
Max. reach: 4683 mm

# FANUC

Robot			Max. load capacity at wrist (kg)	Reach (mm)	Controlled axes	Repeatability (mm)	Mechanical weight (kg)	Motion range (°)						Maximum speed (°/s)						J4 Moment of Inertia (N·m·kg·m <sup>2</sup> )	J5 Moment of Inertia (N·m·kg·m <sup>2</sup> )	J6 Moment of Inertia (N·m·kg·m <sup>2</sup> )	Average Power consumption (kW)	Protection	
Series	Version	Type						J1	J2	J3	J4	J5	J6	J1	J2	J3	J4	J5	J6					Body standard optional	Wrist & J3 arm standard/optional
M-2000	iA	900L	900	4683	6	±0.18**	9600	330	160	165	720	240	720	45	30	30	50	50	70	14700/2989	14700/2989	4900/2195	8	IP54/ IP56	IP67

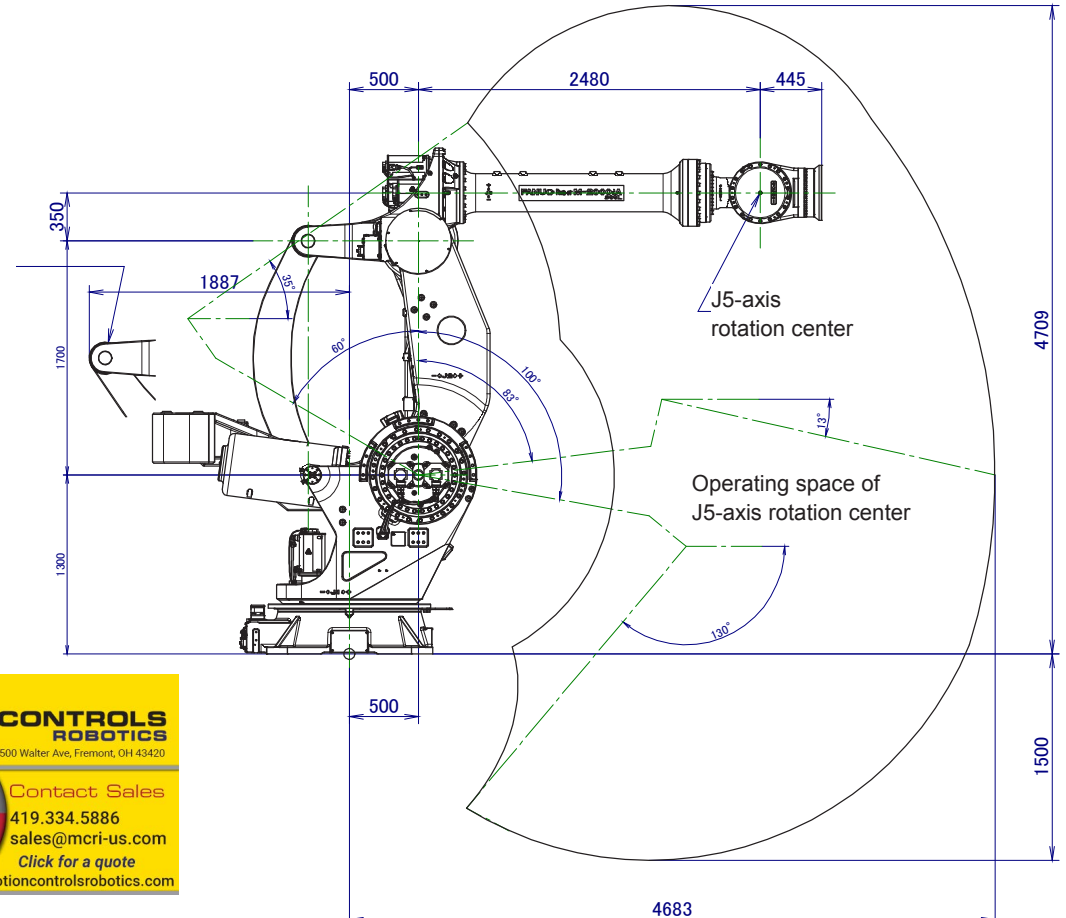
● standard ○ on request - not available ( ) with hardware and/or software option \*\* Based on ISO9283

M-2000iA/900L Long arm



M-2000iA/900L

Rear side Interference area



**MOTION CONTROLS ROBOTICS**  
 1500 Walter Ave, Fremont, OH 43420  
 Contact Sales  
 419.334.5886  
 sales@mcrl-us.com  
 Click for a quote  
 motioncontrolsrobotics.com