

M-710iC/12L



Max. load capacity
at wrist: 12 kg



Max. reach:
3123 mm

FANUC

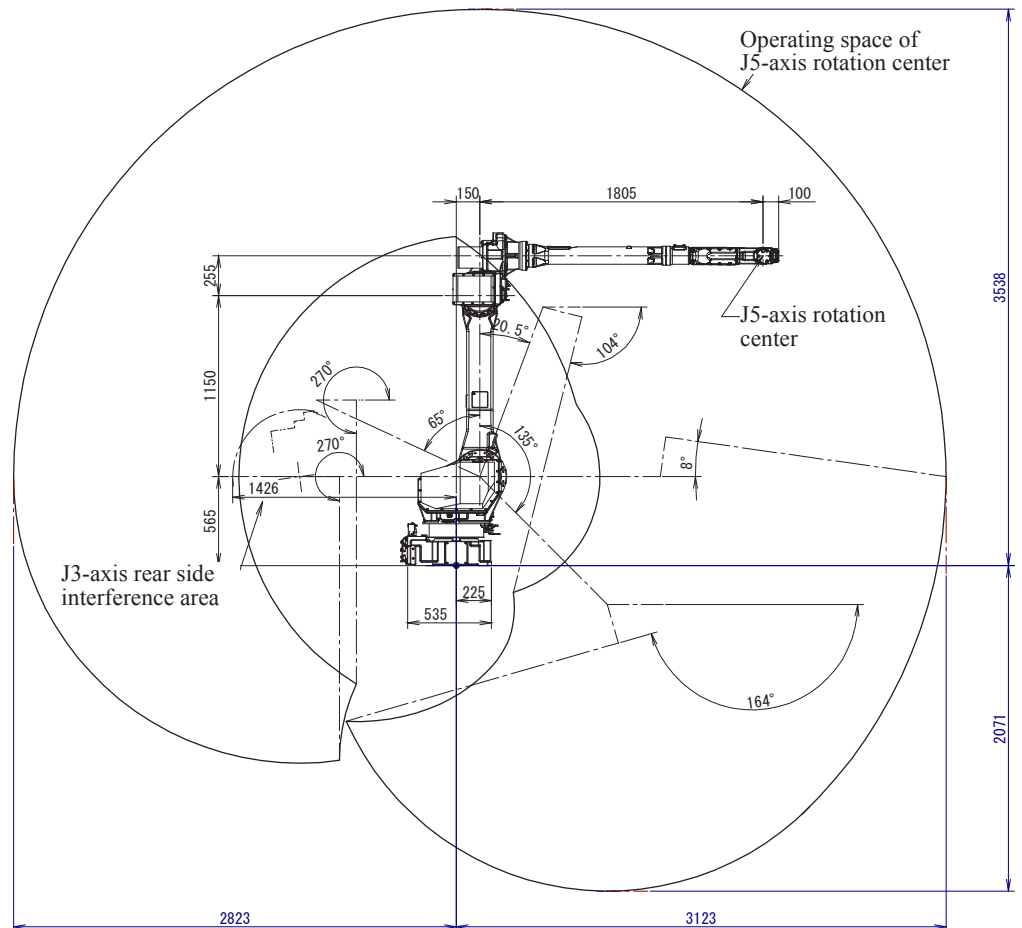
Robot			Max. load capacity at wrist (kg)	Reach (mm)	Controlled axes	Repeatability (mm)	Mechanical weight (kg)	Motion range (°)						Maximum speed (°/s)						J4 Moment/ Inertia	J5 Moment/ Inertia	J6 Moment/ Inertia	Average Power consumption (kW)	Protection	
Series	Version	Type						J1	J2	J3	J4	J5	J6	J1	J2	J3	J4	J5	J6					Body standard/optional	Wrist & J3 arm standard/optional
M-710	iC	12L	12	3123	6	±0.06**	540	360	225	434	400	380	720	180	180	180	400	430	630	22/ .65	22/ .65	9.8/ .17	2.5	IP54/ IP67	IP67

● standard ○ on request - not available ** Based on ISO9283

M-710iC/12L Long arm



M-710iC/12L



**MOTION CONTROLS
ROBOTICS**
1500 Walter Ave, Fremont, OH 43420

Authorized FANUC System Integrator
CERTIFIED SERVICE PROVIDER

Contact Sales
419.334.5886
sales@mcri-us.com
Click for a quote
motioncontrolsrobotics.com