

M-710iC/45M



Max. load capacity at wrist: 45 kg



Max. reach: 2602 mm

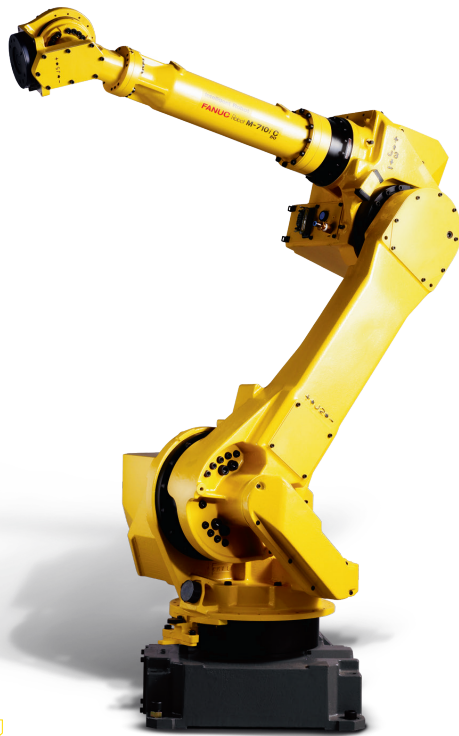
FANUC

Robot			Max. load capacity at wrist (kg)	Reach (mm)	Controlled axes	Repeatability (mm)	Mechanical weight (kg)	Motion range (°)						Maximum speed (°/s)						J4 Moment/ Inertia	J5 Moment/ Inertia	J6 Moment/ Inertia	Average Power consumption (kW)	Protection	
Series	Version	Type						J1	J2	J3	J4	J5	J6	J1	J2	J3	J4	J5	J6					Body standard/optional	Wrist & J3 arm standard/optional
M-710	iC	45M	45	2606	6	±0.06**	570	360	225	440	800	250	800	180	180	180	250	250	360	206/28	206/28	127/20	2.5	IP54/ IP67	IP67

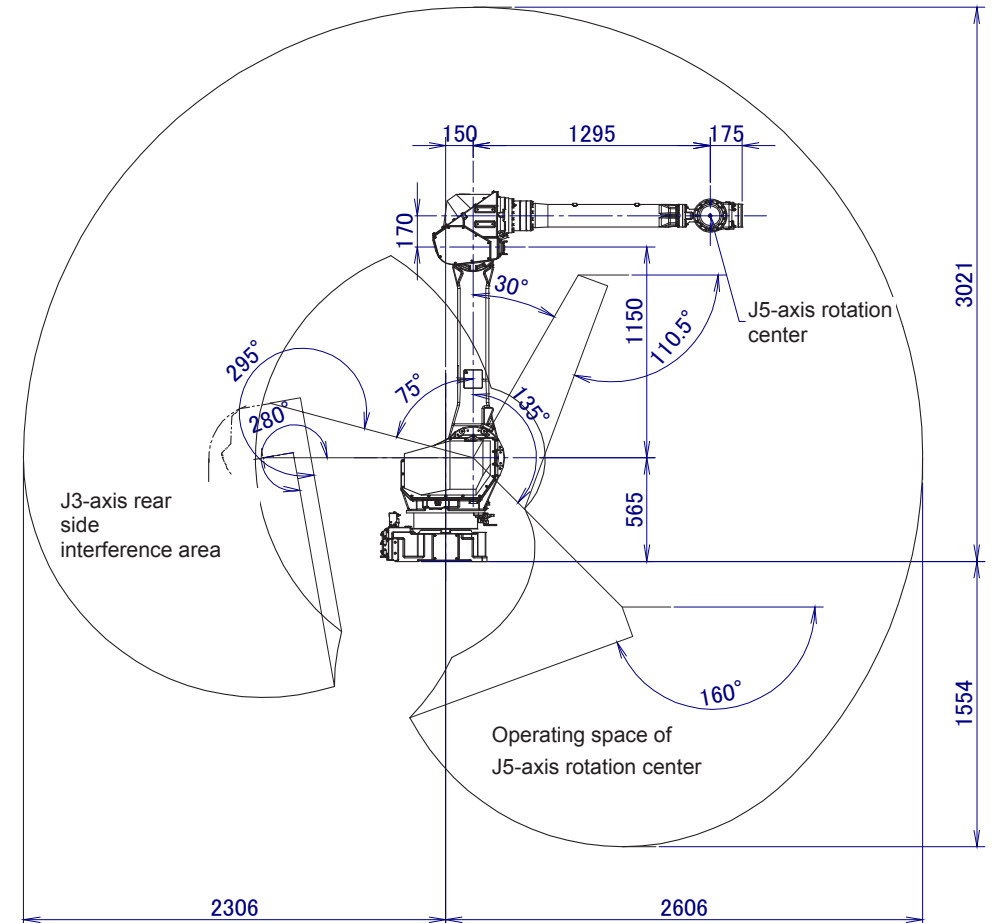
● standard ○ on request - not available ** Based on ISO9283

M-710iC/45M

High inertia



M-710iC/45M



MOTION CONTROLS ROBOTICS
 1500 Walter Ave, Fremont, OH 43420

Authorized FANUC Certified Service Provider

Contact Sales
 419.334.5886
 sales@mcri-us.com
 Click for a quote
 motioncontrolsrobotics.com