

# M-710iC/20L



Max. load capacity at wrist: 20 kg



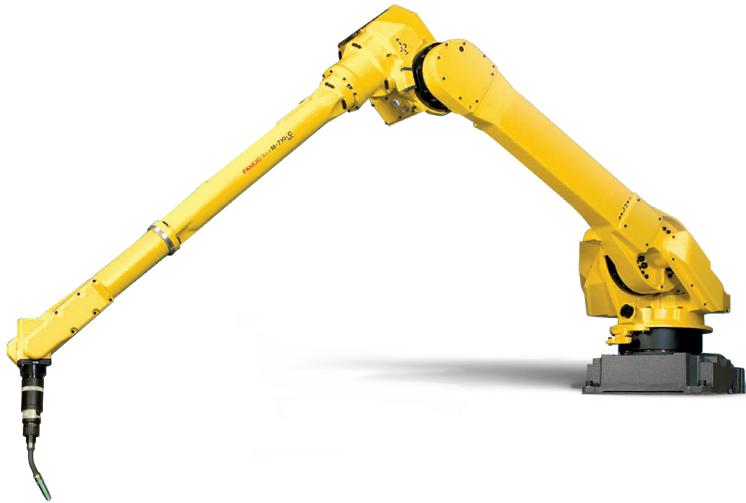
Max. reach: 3110 mm

# FANUC

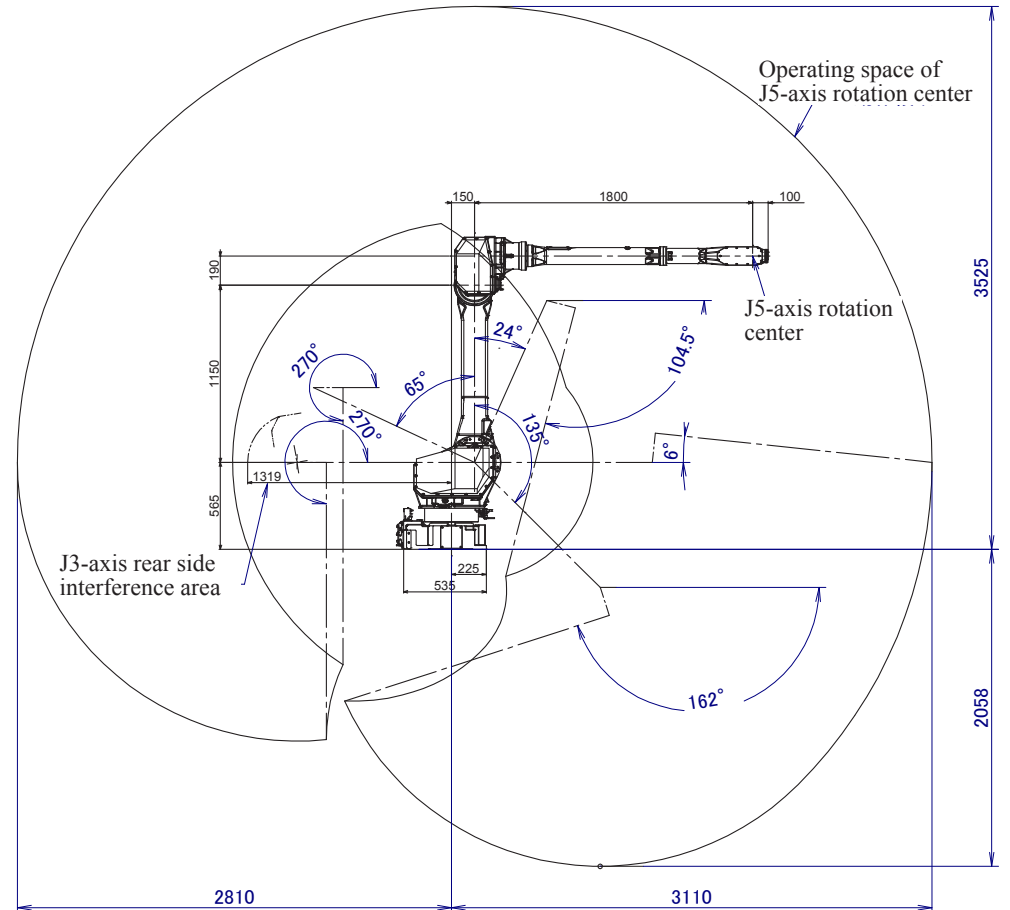
Robot			Max. load capacity at wrist (kg)	Reach (mm)	Controlled axes	Repeatability (mm)	Mechanical weight (kg)	Motion range (°)						Maximum speed (°/s)						J4 Moment/ Inertia	J5 Moment/ Inertia	J6 Moment/ Inertia	Average Power consumption (kW)	Protection	
Series	Version	Type						J1	J2	J3	J4	J5	J6	J1	J2	J3	J4	J5	J6					Body standard/optional	Wrist & J3 arm standard/optional
M-710	iC	20L	20	3110	6	±0.06**	540	360	225	432	400	280	900	175	175	180	350	360	600	39.2/ .88	39.2/ .88	19.6/ .25	2.5	IP54/ IP67	IP67

● standard ○ on request - not available \*\* Based on ISO9283

M-710iC/20L Long arm



M-710iC/20L



**MOTION CONTROLS ROBOTICS**  
 CERTIFIED VISION SPECIALIST  
 SYSTEM INTEGRATOR  
 AUTHORIZED FANUC SERVICE PROVIDER

1500 Walter Ave, Fremont, OH 43420

Contact Sales  
 419.334.5886  
 sales@mcri-us.com  
 Click for a quote  
 motioncontrolsrobotics.com