

# LR Mate 200iD/4SC



Max. load capacity at wrist: 4 kg



Max. reach: 550 mm

# FANUC

Robot			Max. load capacity at wrist (kg)	Reach (mm)	Controlled axes	Repeatability (mm)	Mechanical weight (kg)	Motion range (°)						Maximum speed (°/s)						J4 Moment/Inertia	J5 Moment/Inertia	J6 Moment/Inertia	Average Power consumption (kW)	Protection	
Series	Version	Type						J1	J2	J3	J4	J5	J6	J1	J2	J3	J4	J5	J6					Body standard/optional	Wrist & J3 arm standard/optional
LR Mate 200	iD	4SC	4	550	6	± 0.01**	20	340 (360)	230	402	380	240	720	460	460	520	560	560	900	8.86/0.2	8.86/0.2	4.9/0.067	0.5	IP67	IP67

[option] ● standard ○ on request - not available [ ] with hardware and/or software option \*\* Based on ISO9283

LR Mate 200iD/4SC

Short arm, clean room, food grade grease  
(2 integrated solenoid valves)

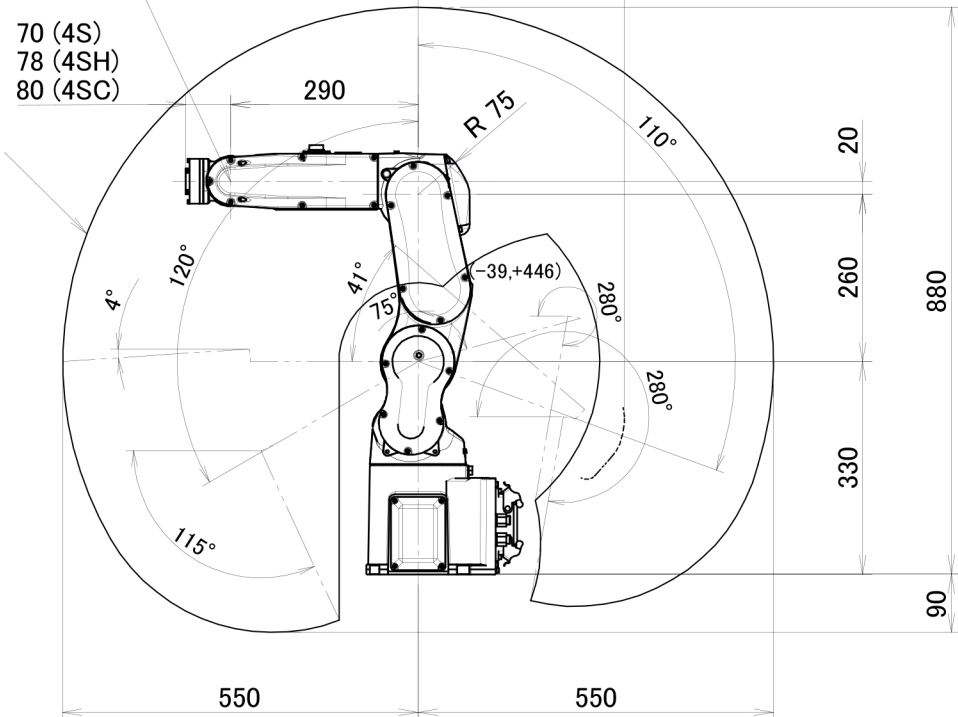


LR Mate 200iD

J5-axis rotation center

J3-axis rear side interference area 319

Operating space of J5-axis rotation center



**MOTION CONTROLS ROBOTICS**  
CERTIFIED VISION SPECIALIST  
1500 Walter Ave, Fremont, OH 43420

**INTEGRATED SYSTEMS**

**FANUC**

CONTACT SALES  
419.334.5886  
sales@mcri-us.com  
Click for a quote  
motioncontrolsrobotics.com