

# LR Mate 200iD/4SH



Max. load capacity at wrist: 4 kg



Max. reach: 550 mm

# FANUC

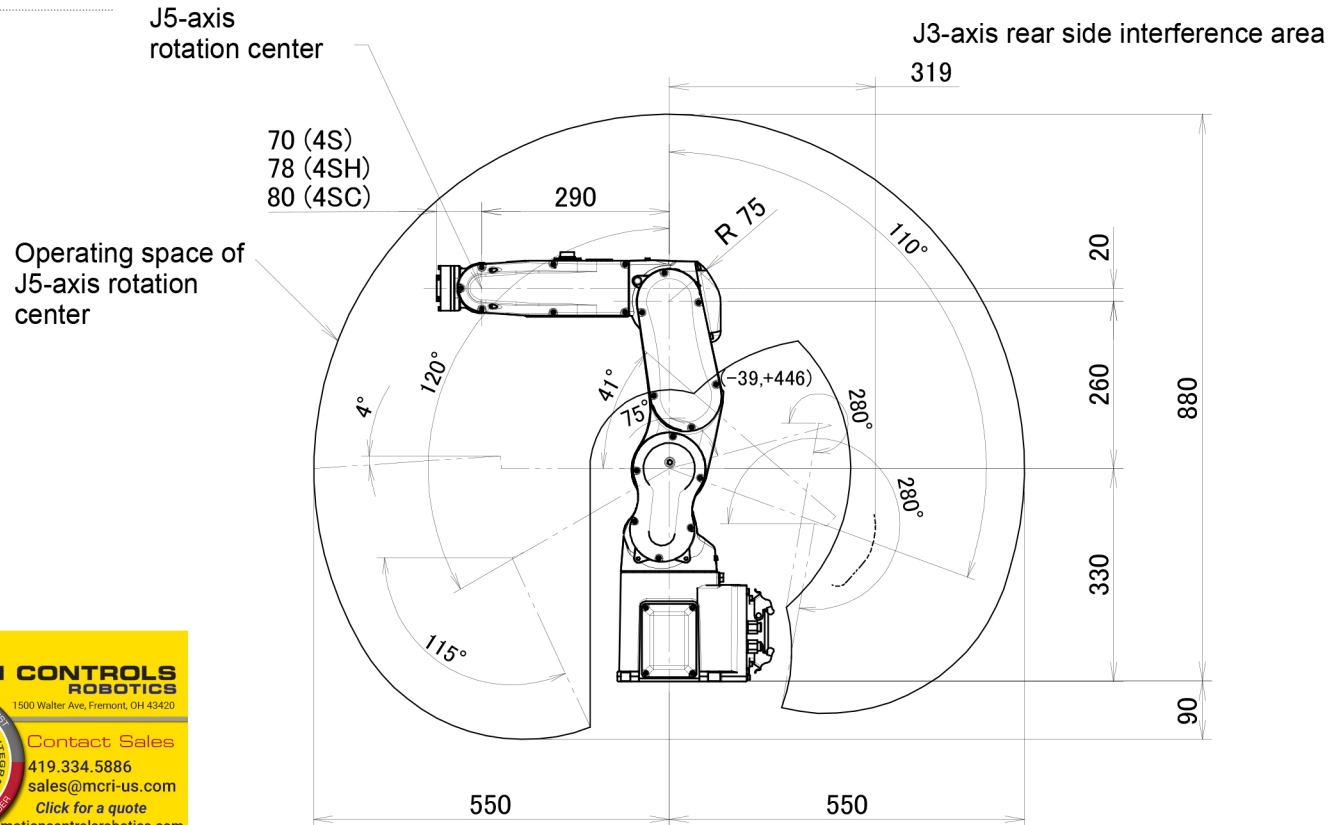
Robot			Max. load capacity at wrist (kg)	Reach (mm)	Controlled axes	Repeatability (mm)	Mechanical weight (kg)	Motion range (°)						Maximum speed (°/s)						J4 Moment/Inertia	J5 Moment/Inertia	J6 Moment/Inertia	Average Power consumption (kW)	Protection	
Series	Version	Type						J1	J2	J3	J4	J5	J6	J1	J2	J3	J4	J5	J6					Body standard/optional	Wrist & J3 arm standard/optional
LR Mate 200	iD	4SH	4	550	5	± 0.01**	19	340 (360)	230	402	240	720	-	460	460	520	560	1500	-	8.86/.046	4/.046	-	0.5	IP67	IP67

[option] ● standard ○ on request - not available [ ] with hardware and/or software option \*\* Based on ISO9283

LR Mate 200iD/4SH Short arm, 5-axis (2 integrated solenoid valves)



LR Mate 200iD



**MOTION CONTROLS ROBOTICS**  
 1500 Walter Ave, Fremont, OH 43420  
 Contact Sales  
 419.334.5886  
 sales@mcri-us.com  
 Click for a quote  
 motioncontrolsrobotics.com