

# LR Mate 200iD/7WP



Max. load capacity  
at wrist: 7 kg



Max. reach:  
717 mm

# FANUC

Robot			Max. load capacity at wrist (kg)	Reach (mm)	Controlled axes	Repeatability (mm)	Mechanical weight (kg)	Motion range (°)						Maximum speed (°/s)						J4 Moment/Inertia	J5 Moment/Inertia	J6 Moment/Inertia	Average Power consumption (kW)	Protection	
Series	Version	Type						J1	J2	J3	J4	J5	J6	J1	J2	J3	J4	J5	J6					Body standard/optional	Wrist & J3 arm standard/optional
LR Mate 200	iD	7WP	7	717	6	± 0.01**	25	340 (360)	245	420	380	250	720	450	380	520	550	545	1000	16.6/4.7	16.6/4.7	9.4/1.5	0.5	IP67/ IP69K	IP67/ IP69K

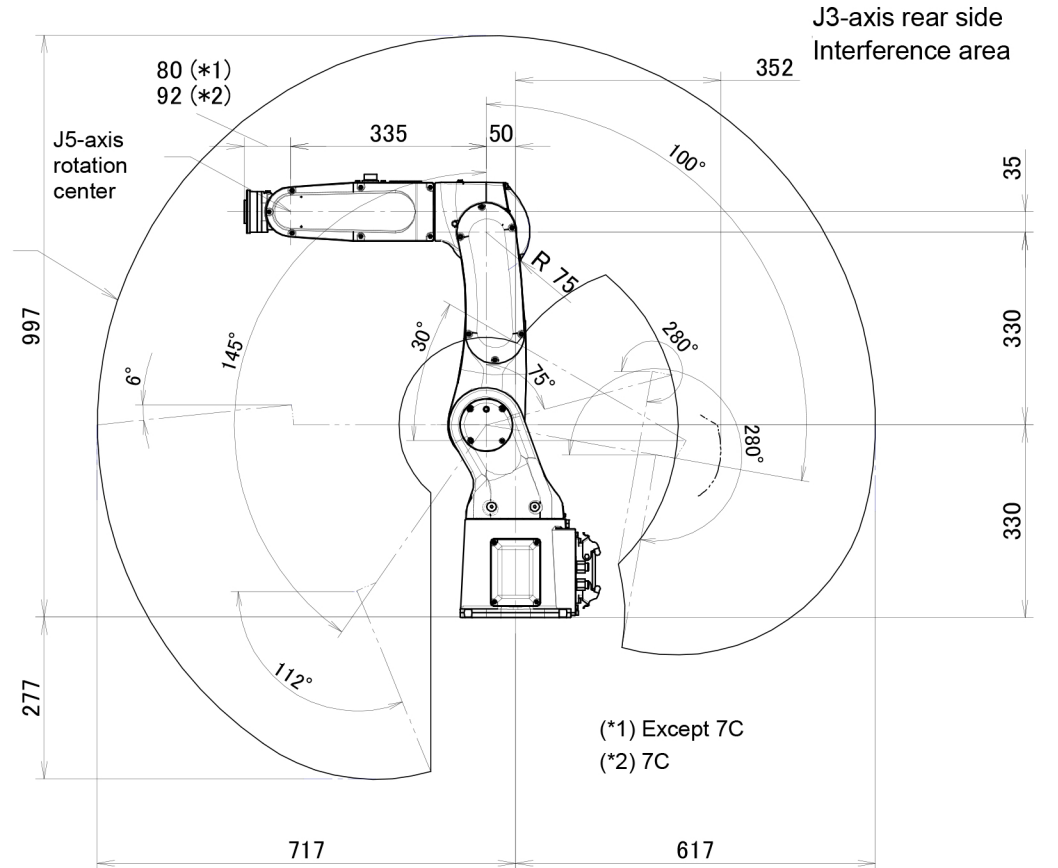
(option) ● standard ○ on request - not available [ ] with hardware and/or software option \*\* Based on ISO9283

## LR Mate 200iD/7WP Wash proof



LR Mate 200iD

Operating space  
of J5-axis rotation  
center



**MOTION CONTROLS ROBOTICS**  
1500 Walter Ave, Fremont, OH 43420

**CONTACT SALES**  
419.334.5886  
sales@mcri-us.com  
Click for a quote  
motioncontrolsrobotics.com

**FANUC**  
AUTHORIZED SYSTEM INTEGRATOR  
CERTIFIED SERVICE PROVIDER