

# M-10iD/10L



Max. load capacity  
at wrist: 10 kg



Max. reach:  
1636 mm

# FANUC

Robot			Max. load capacity at wrist (kg)	Reach (mm)	Controlled axes	Repeatability (mm)	Mechanical weight (kg)	Motion range (°)						Maximum speed (°/s)						J4 Moment/Inertia	J5 Moment/Inertia	J6 Moment/Inertia	Average Power consumption (kW)	Protection	
Series	Version	Type						J1	J2	J3	J4	J5	J6	J1	J2	J3	J4	J5	J6					Body standard/optional	Wrist & J3 arm standard/optional
M-10	iD	10L	10	1636	6	±0.03**	150	340 (370)	235	455	380	360	900	260	240	260	430	450	720	22/.65	22/.65	9.8/.17	1	IP54/ IP55	IP67

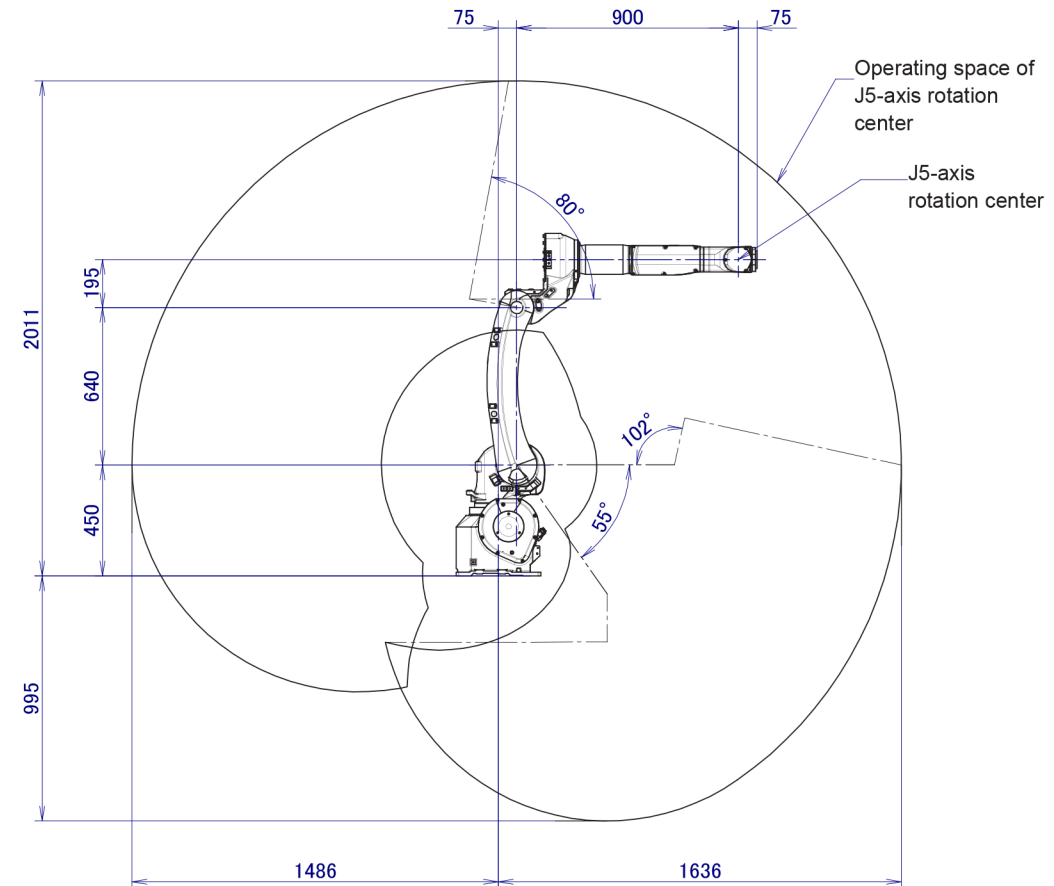
● standard ○ on request - not available \*\* Based on ISO9283 \*\*\*with food grease

M-10iD/10L

Long arm, hollow wrist



M-10iD/10L



**MOTION CONTROLS ROBOTICS**  
 1500 Walter Ave, Fremont, OH 43420  
 Contact Sales  
 419.334.5886  
 sales@mcri-us.com  
 Click for a quote  
 motioncontrolsrobotics.com