

R-1000iA/80F



Max. load capacity at wrist: 80 kg



Max. reach: 2230 mm

FANUC

Robot			Max. load capacity at wrist (kg)	Reach (mm)	Controlled axes	Repeatability (mm)	Mechanical weight (kg)	Motion range (°)						Maximum speed (°/s)						J4 Moment/ Inertia	J5 Moment/ Inertia	J6 Moment/ Inertia	Average Power consumption (kW)	Protection	
Series	Version	Type						J1	J2	J3	J4	J5	J6	J1	J2	J3	J4	J5	J6					Body standard/optional	Wrist & J3 arm standard/optional
R-1000	iA	80F	80	2230	6	±0.03**	620	360	245	360	720	250	720	10	140	160	230	230	350	380/30	380/30	200/20	2.5	IP54/ IP55	IP67

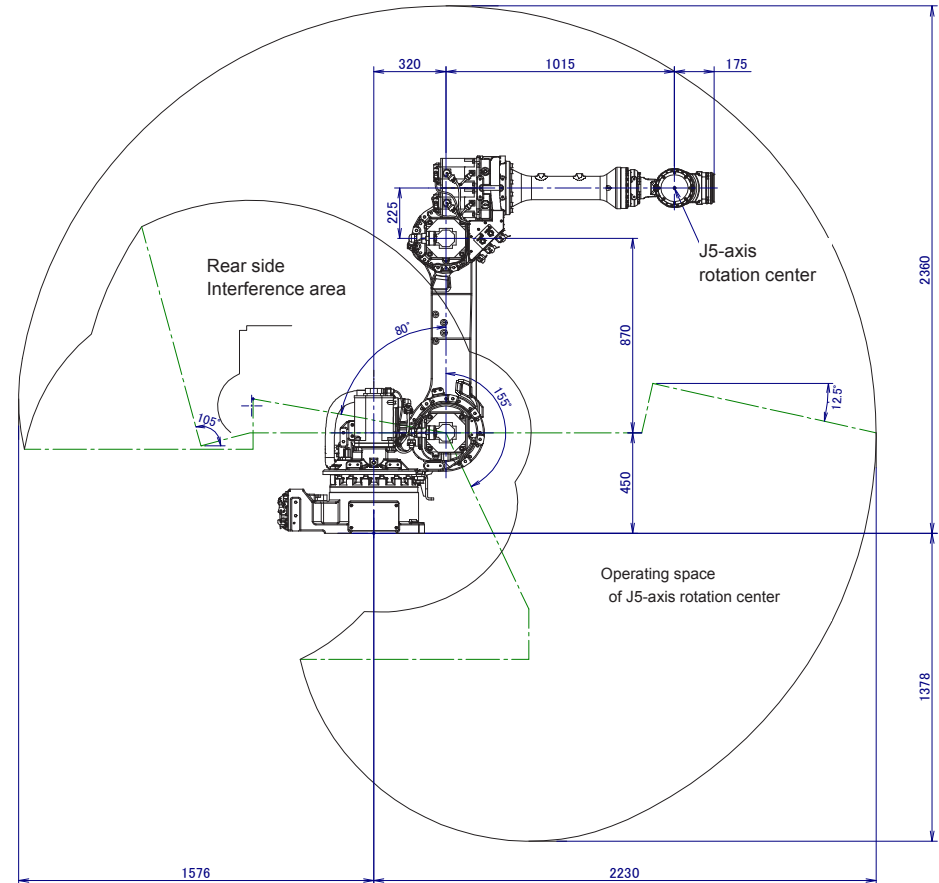
● standard ○ on request - not available | with hardware and/or software option ** Based on ISO9283

R-1000iA/80F

Standard Model



R-1000iA/80F



MOTION CONTROLS ROBOTICS
 1500 Walter Ave, Fremont, OH 43420

FANUC
 AUTHORIZED SERVICE PROVIDER

Contact Sales
 419.334.5886
 sales@mcri-us.com
 Click for a quote
 motioncontrolsrobotics.com