

Hollow arm meets full productivity



**FULLY INTEGRATED
PROCESS CABLES**
to ensure protection of
process cables and
prevention of interference
with system equipment



LONG LIFETIME
High durability and
maintainability for
process cables



SPACE SAVING DESIGN
23 % decrease of installation
area compared to former
series



100 KG PAYLOAD



**LARGE HOLLOW WRIST
OF 90 MM** and hollow arm



EASY SYSTEM STUDY
with offline teaching

NEW
R-2000iD/100FH

NEW FANUC R-2000iD series: Compact design and easy maintenance

- Reduction of maintenance time and costs due to optimised long-life cables
- Number of strategic openings ensure easy access to cables
- Easy and precise offline simulation with ROBOGUIDE
- Ideally equipped for applications like spot welding or material handling applications

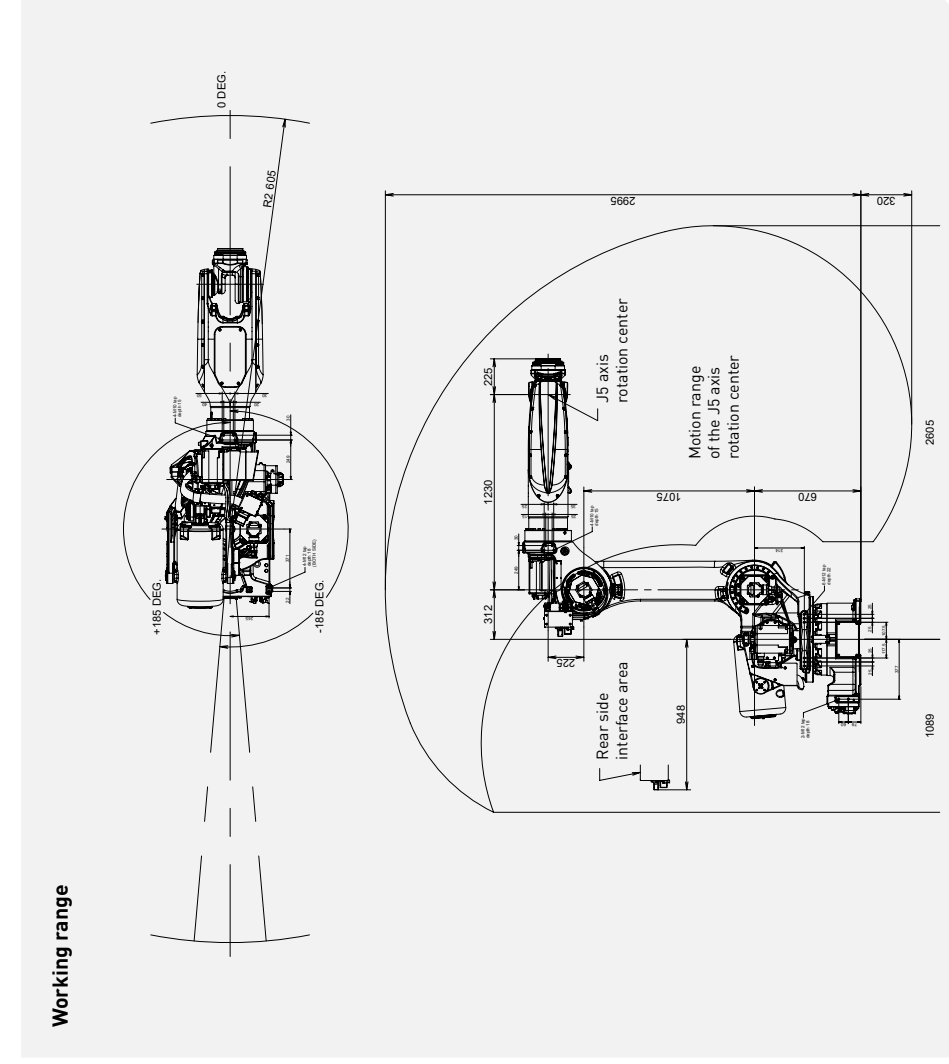


Max. load capacity
at wrist: **100 kg**



Max. reach:
2605 mm

Controlled axes	Repeatability (mm)	Mechanical weight (kg)	Motion range [°]						Maximum speed [°/s]						J6 Moment/Inertia (Nm/kgm ²)		
			J1	J2	J3	J4	J5	J6	J1	J2	J3	J4	J5	J6			
6	± 0.05	1150	370	140	234	420	250	420	105	130	130	200	160	300	850/90	850/90	450/50



- Robot**
- Robot footprint [mm] 678 x 536
 - Mounting position Floor ●
 - Mounting position Upside down -
 - Mounting position Angle -
- Controller**
- Open air cabinet **R-30iB Plus**
 - Mate cabinet -
 - A-cabinet ○
 - B-cabinet ●
 - iPendant Touch ○
 - ●

Electrical connections

- Voltage 50/60Hz 3phase [V] 380-575
- Voltage 50/60Hz 1phase [V] -
- Average power consumption [kW] 2.5

Integrated services

- Integrated signals on upper arm In/Out 8/8
- Integrated air supply 2

Environment

- Acoustic noise level [dB] 69,8
- Ambient temperature [° C] 0-45

Protection

- Body standard/optional IP54
- Wrist & J3 arm standard/optional IP67

● standard ○ on request - not available () with hardware and/or software option *Based on ISO9283