

# R-2000iD/165FH



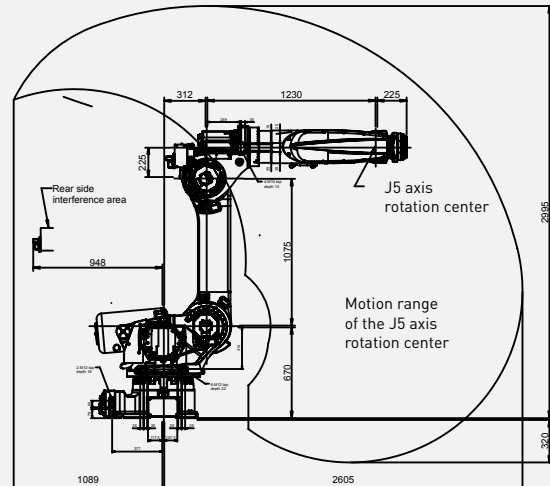
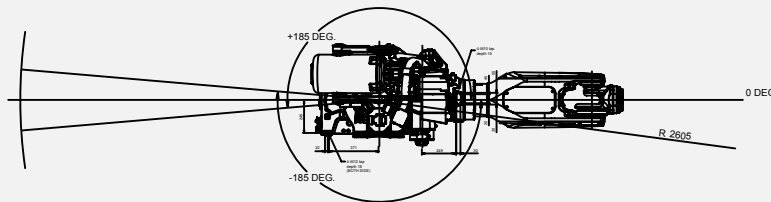
Max. load capacity at wrist: **165 kg**



Max. reach: **2605 mm**

Controlled axes	Repeatability (mm)	Mechanical weight (kg)	Motion range (°)						Maximum speed (°/s)						J4 Moment/Inertia (Nm/kgm <sup>2</sup> )	J5 Moment/Inertia (Nm/kgm <sup>2</sup> )	J6 Moment/Inertia (Nm/kgm <sup>2</sup> )
			J1	J2	J3	J4	J5	J6	J1	J2	J3	J4	J5	J6			
6	± 0.05*	1130	370	140	234	420	250	420	130	110	115	175	170	280	1000/122	1000/122	620/100

## Working range



### Robot

	R-2000iD/165FH
Robot footprint [mm]	678 x 536
Mounting position Floor	●
Mounting position Upside down	-
Mounting position Angle	-

### Controller

	R-30iB Plus
Open air cabinet	-
Mate cabinet	○
A-cabinet	●
B-cabinet	○
iPendant Touch	●

### Electrical connections

Voltage 50/60Hz 3phase [V]	380-575
Voltage 50/60Hz 1phase [V]	-
Average power consumption [kW]	2.5

### Integrated services

Integrated signals on upper arm In/Out	8/8
Integrated air supply	2

### Environment

Acoustic noise level [dB]	-
Ambient temperature [° C]	0-45

### Protection

Body standard/optional	IP54
Wrist & J3 arm standard/optional	IP67

● standard ○ on request - not available ( ) with hardware and/or software option

\*Based on IS09283