

R-2000iC/210R



Max. load capacity at wrist: 210 kg



Max. reach: 3095mm

FANUC

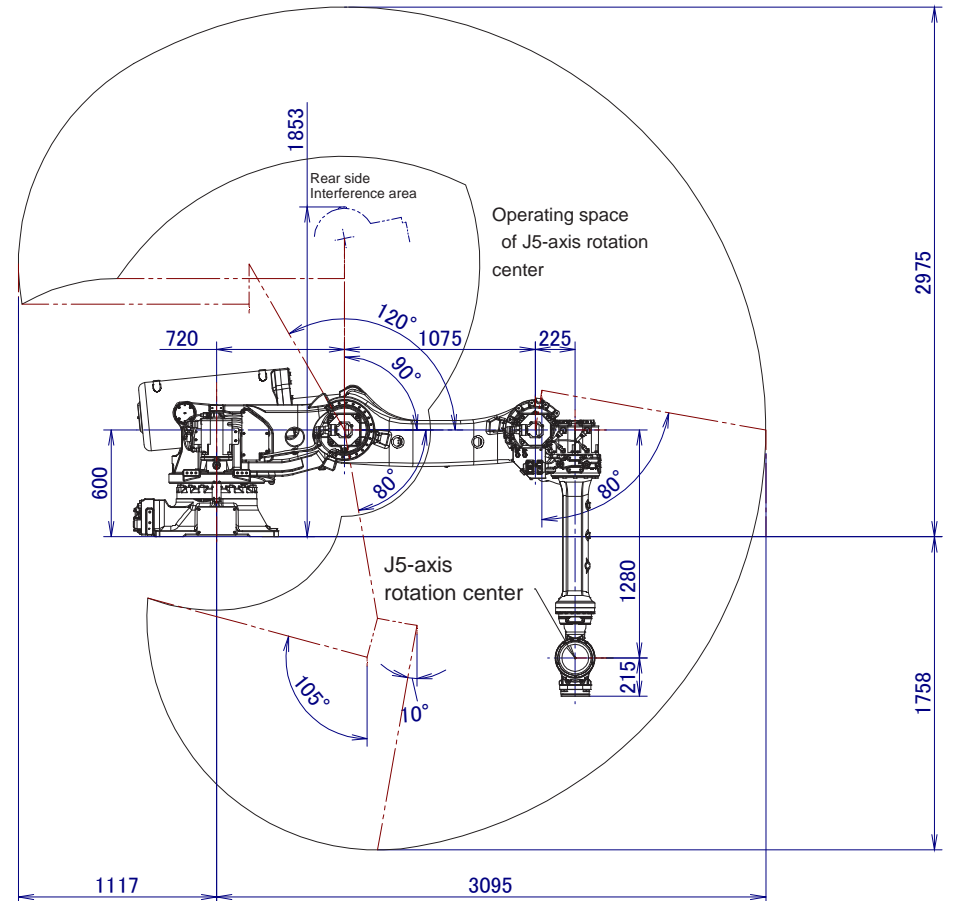
Robot			Max. load capacity at wrist (kg)	Reach (mm)	Controlled axes	Repeatability (mm)	Mechanical weight (kg)	Motion range (°)						Maximum speed (°/s)						J4 Moment/ Inertia	J5 Moment/ Inertia	J6 Moment/ Inertia	Average Power consumption (kW)	Protection	
Series	Version	Type						J1	J2	J3	J4	J5	J6	J1	J2	J3	J4	J5	J6					Body standard/optional	Wrist & J3 arm standard/optional
R-2000	iC	210R	210	3095	6	±0.05**	1370	370	200	375	720	250	720	105	100	110	140	140	220	1360/147	1360/147	735/82	2.5	IP54 / IP56	IP67

● standard ○ on request - not available () with hardware and/or software option *1) depending on rail specification ** Based on ISO9283

R-2000iC/210R Rack mount



R-2000iC/210R



MOTION CONTROLS ROBOTICS
 1500 Walter Ave, Fremont, OH 43420

Authorized FANUC SYSTEM INTEGRATOR

Contact Sales
 419.334.5886
 sales@mcri-us.com
 Click for a quote
 motioncontrolsrobotics.com