

SR-6iA/H



Max. load capacity at wrist: 6 kg



Max. reach: 650 mm

FANUC

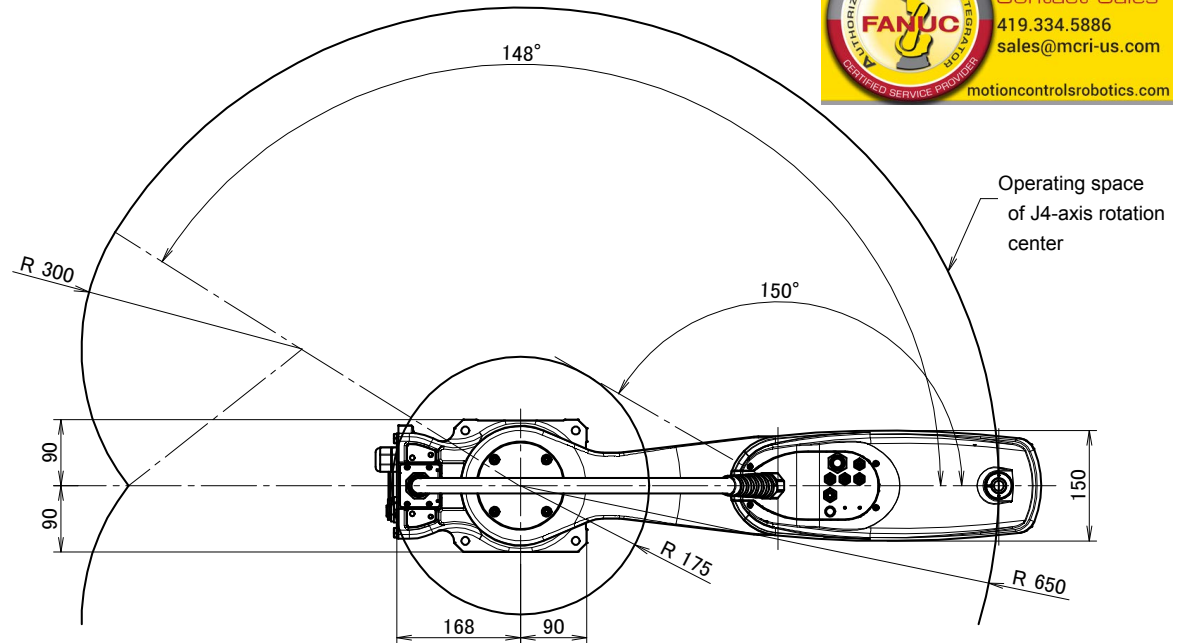
Robot			Max. load capacity at wrist (kg)	Reach (mm)	Controlled axes	Repeatability (mm)	Mechanical weight (kg)	Motion range (°)						Maximum speed (°/s)						Moments (N-m)/Inertia (kg-m ²)			Push Force (N)	Protection	
Series	Version	Type						J1	J2	J3	J4	J5	J6	J1	J2	J3	J4	J5	J6	J4 Moment/Inertia	J4 Moment/Inertia	J4 Moment/Inertia		Body standard/optional	Wrist & J3 arm standard/optional
SR	iA/H	6	6	650	3	±0.01(J1, J2) ±0.01(J3)	28	±148	±150	210 mm*	-	-	-	440	700	2000 mm/s	-	-	-	·	·	·	200	IP20	IP20

- not available * z axis

SR-6iA/H 3-axis



SR-6iA/H



MOTION CONTROLS ROBOTICS
 1500 Walter Ave, Fremont, OH 43420
 CONTACT SALES
 419.334.5886
 sales@mcri-us.com
 motioncontrolsrobotics.com

FANUC
 AUTHORIZED SYSTEM INTEGRATOR
 CERTIFIED SERVICE PROVIDER