



Max. load capacity at wrist: 4 kg



Max. reach: 550 mm

Robot			Max. load capacity at wrist (kg)	Reach (mm)	Controlled axes	Repeatability (mm)	Mechanical weight (kg)	Motion range (°)						Maximum speed (°/s)						J4 Moment/Inertia	J5 Moment/Inertia	J6 Moment/Inertia	Average Power consumption (kW)	Protection	
Series	Version	Type						J1	J2	J3	J4	J5	J6	J1	J2	J3	J4	J5	J6					Body standard	Wrist & J3 arm
CR	iA	4	4	550	6	± 0.01**	48	340/360***	150	354	380	200	720	500*	500*	500*	500*	500*	500*	8.86/2	8.86/2	4.9/.67	0.5	IP67	IP67

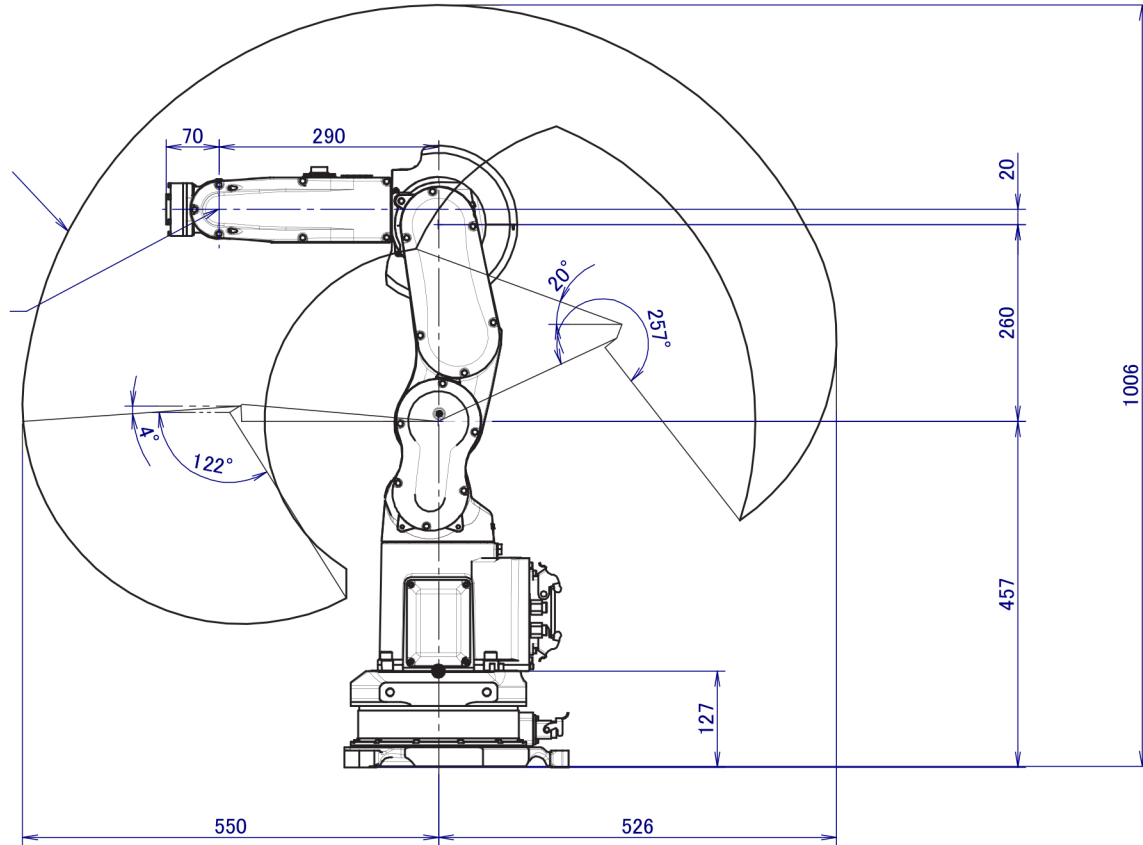
● standard ○ on request - not available * max. cartesian speed 1000mm/sec ** Based on ISO9283 ***Option

CR-4iA Standard Model



Operating space of J5-axis rotation center

J5-axis rotation center



CR-4iA

MOTION CONTROLS ROBOTICS
1500 Walter Ave, Fremont, OH 43420

Authorized FANUC SYSTEM INTEGRATOR

Contact Sales
 419.334.5886
 sales@mcri-us.com
 Click for a quote
 motioncontrolsrobotics.com