

CR-14iA/L



Max. load capacity at wrist: 14 kg



Max. reach: 911 mm

FANUC

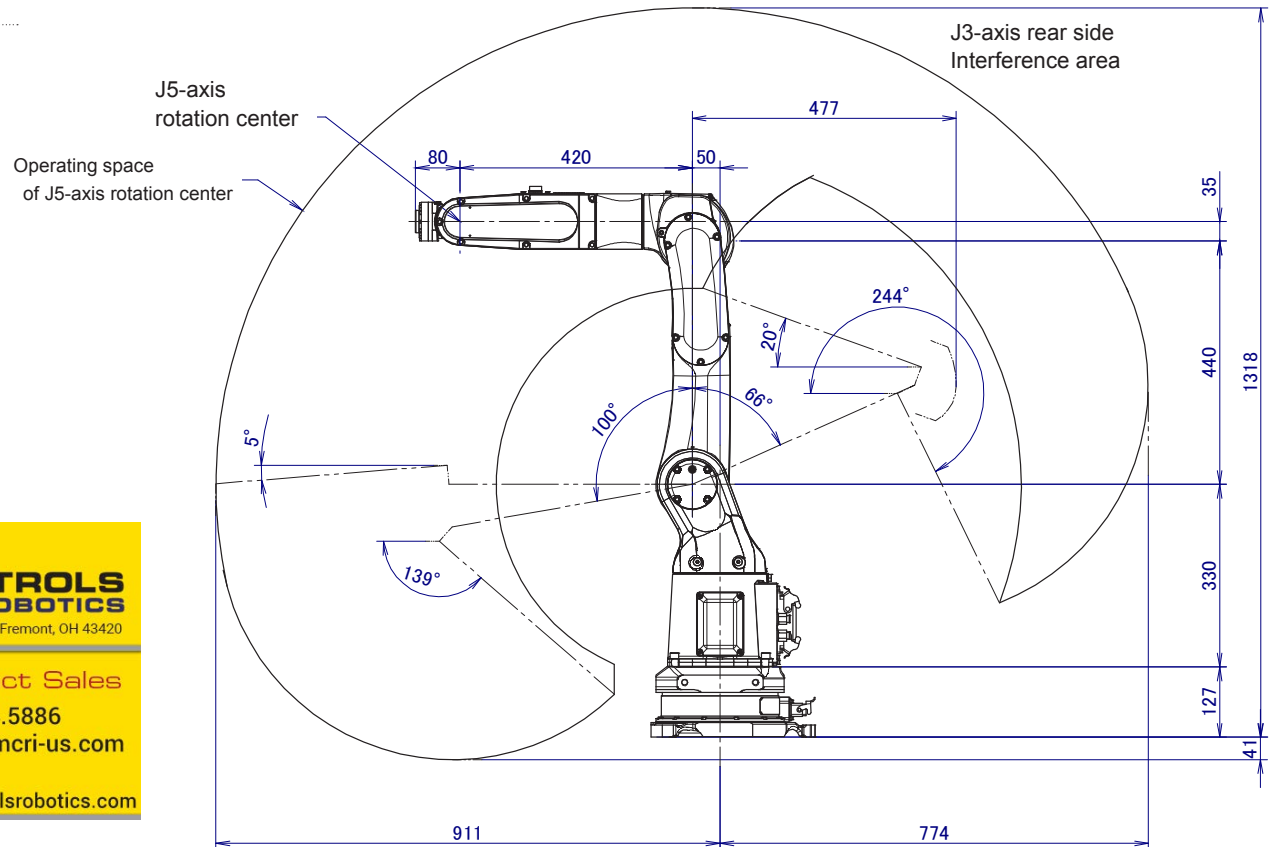
Robot			Max. load capacity at wrist (kg)	Reach (mm)	Controlled axes	Repeatability (mm)	Mechanical weight (kg)	Motion range (°)						Maximum speed (°/s)						J4 Moment/Inertia	J5 Moment/Inertia	J6 Moment/Inertia	Average Power consumption (kW)	Protection	
Series	Version	Type						J1	J2	J3	J4	J5	J6	J1	J2	J3	J4	J5	J6					Body standard	Wrist & J3 arm
CR	iA	14/L	14	911 (820)	6	± 0.01**	55	340	166	383	380	240	720	500*	500*	500*	500*	500*	500*	31/.66	31/.66	13.4/.3	0.5	IP67	IP67

(load capacity ≥12kg) ● standard ○ on request - not available * max. cartesian speed 1000mm/sec ** Based on ISO9283 ***Option

CR-14iA/L Long arm



CR-14iA/L



MOTION CONTROLS ROBOTICS
 1500 Walter Ave, Fremont, OH 43420
 Contact Sales
 419.334.5886
 sales@mcri-us.com
 motioncontrolsrobotics.com

CERTIFIED VISION SPECIALIST
SYSTEM INTEGRATOR
FANUC
AUTHORIZED SERVICE PROVIDER