

# LR Mate 200iD/7L



Max. load capacity at wrist: 7 kg



Max. reach: 911 mm

# FANUC

Robot			Max. load capacity at wrist (kg)	Reach (mm)	Controlled axes	Repeatability (mm)	Mechanical weight (kg)	Motion range (°)						Maximum speed (°/s)						J4 Moment/Inertia	J5 Moment/Inertia	J6 Moment/Inertia	Average Power consumption (kW)	Protection	
Series	Version	Type						J1	J2	J3	J4	J5	J6	J1	J2	J3	J4	J5	J6					Body standard/optional	Wrist & J3 arm standard/optional
LR Mate 200	iD	7L	7	911	6	± 0.01**	27	340 (360)	245	430	380	250	720	370	310	410	550	545	1000	16.6/4.7	16.6/4.7	9.4/1.15	0.5	IP67/ IP69K	IP67/ IP69K

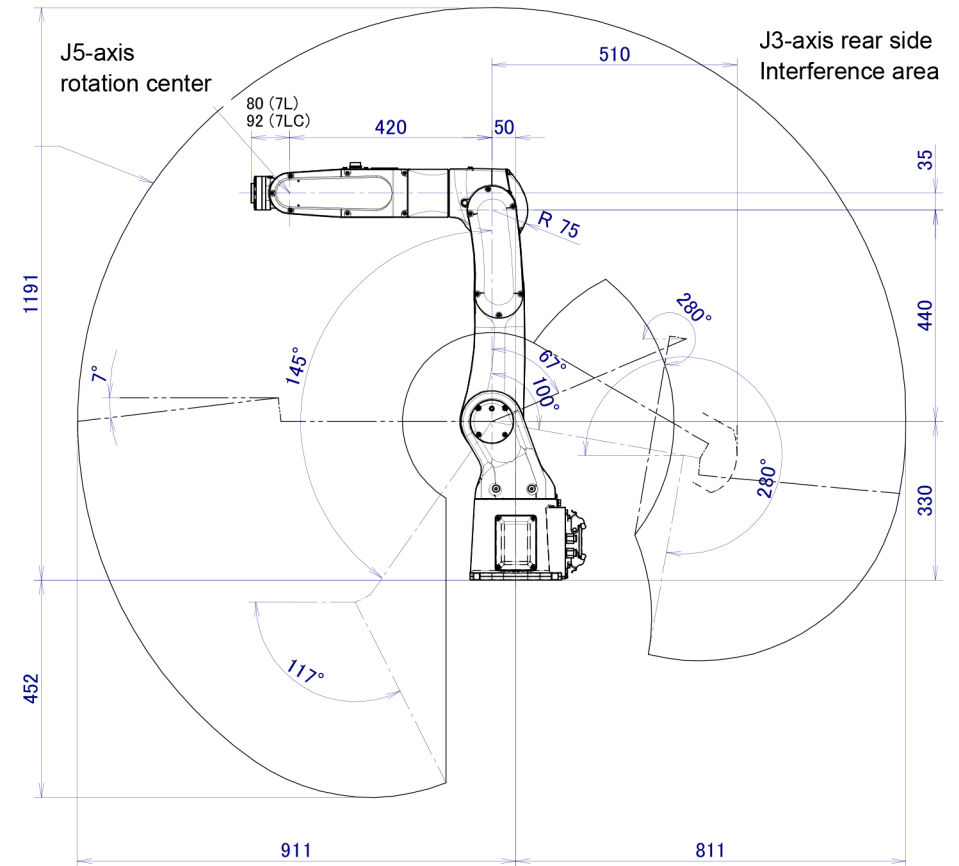
[option] ● standard ○ on request - not available [ ] with hardware and/or software option \*\* Based on ISO9283

## LR Mate 200iD/7L Long arm (2 integrated solenoid valves)



LR Mate 200iD

Operating space of J5-axis rotation center



**MOTION CONTROLS ROBOTICS**  
1500 Walter Ave, Fremont, OH 43420

**Authorized FANUC SYSTEM Integrator**  
**FANUC**  
CERTIFIED SERVICE PROVIDER

Contact Sales  
 419.334.5886  
 sales@mcri-us.com  
 Click for a quote  
 motioncontrolsrobotics.com