

M-1000iA



Max. load capacity at wrist: 1000 kg



Max. reach: 3253 mm

FANUC

Robot			Max. load capacity at wrist (kg)	Reach (mm)	Controlled axes	Repeatability (mm)	Mechanical weight (kg)	Motion range (°)						Maximum speed (°/s)						J4 Moment/ Inertia	J5 Moment/ Inertia	J6 Moment/ Inertia	Average Power consumption (kW)	Protection	
Series	Version	Type						J1	J2	J3	J4	J5	J6	J1	J2	J3	J4	J5	J6					Body	Wrist & J3 arm
M-1000	iA	Base	1000	3253	6	0.1	5300	330	145	260	720	240	720	60	50	50	70	70	85	8800/ 1750	8800/ 1750	5800/ 840	.	IP54	IP67

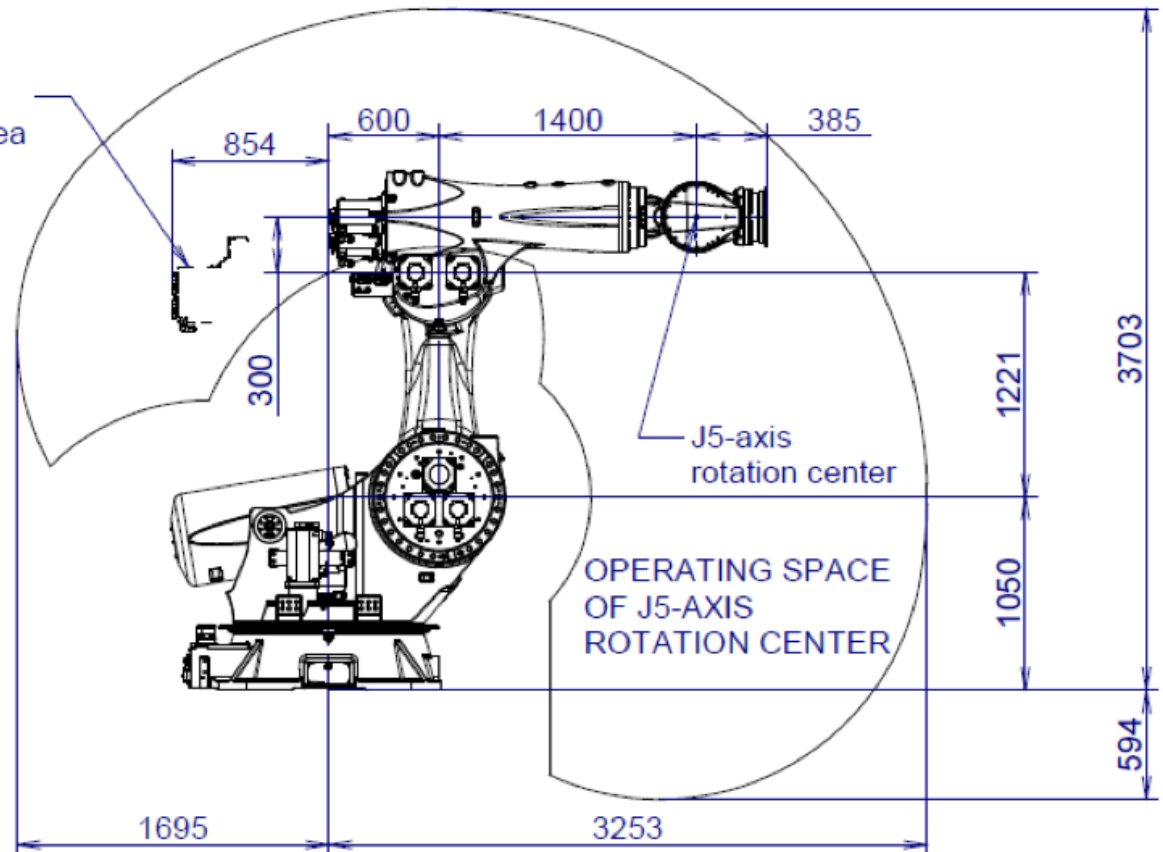
- not available ** Based on ISO9283

M-1000iA Heavy Payload Robot



M-1000iA

Rear side interference area



MOTION CONTROLS ROBOTICS
 1500 Walter Ave, Fremont, OH 43420
 Contact Sales
 419.334.5886
 sales@mcri-us.com
 Click for a quote
 motioncontrolsrobotics.com