

M-710iD/50M



Max. load capacity at wrist: 50 kg



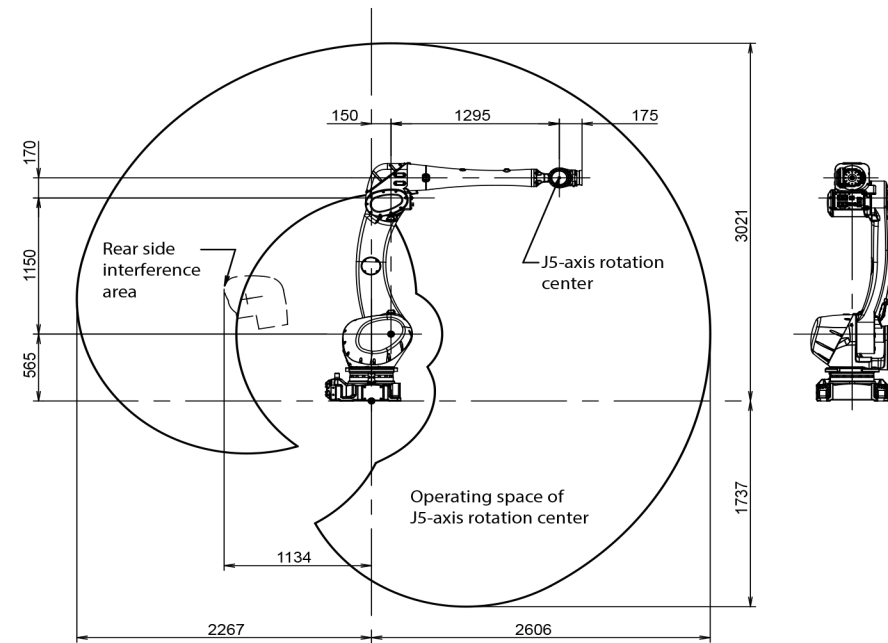
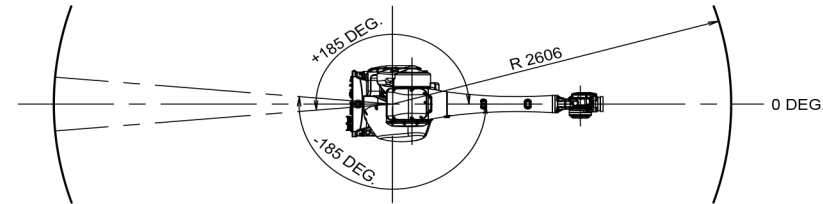
Max. reach: 2606 mm

FANUC

Robot			Max. load capacity at wrist (kg)	Reach (mm)	Controlled axes	Repeatability (mm)	Mechanical weight (kg)	Motion range (°) ***						Maximum speed (°/s)						Moments (N-m)/Inertia (kg-m ²)			Average Power consumption (kW)	Protection	
Series	Version	Type						J1	J2	J3	J4	J5	J6	J1	J2	J3	J4	J5	J6	J4 Moment/Inertia	J5 Moment/Inertia	J6 Moment/Inertia		Body standard/optional	Wrist & J3 arm standard/optional
M-710	iD	50M	50	2606	6	±0.06*	600**	370	225	440	800	250	800	180	180	180	260	260	370	215/30	215/30	130/20	2.5	IP54/ IP67	IP67

● standard ○ on request - not available * Based on ISO9283 **Without controller ***During short distance motions, the axis speed may not reach the maximum value stated

M-710iD/50M 6-axis



MOTION CONTROLS ROBOTICS
 1500 Walter Ave, Fremont, OH 43420

Authorized FANUC System Integrator
 Certified Vision Specialist
 Certified Service Provider

Contact Sales
 419.334.5886
 sales@mcri-us.com
 Click for a quote
 motioncontrolsrobotics.com