

# NEW M-410iC/110

## Compact, fast and durable



**OPTIMISED KINEMATIC**  
TO ACHIEVE OPTIMAL  
WORKSPACE

**SLIM DESIGN**  
TO REDUCE REQUIRED  
FLOOR SPACE TO MINIMUM

**INTEGRATED SERVICES**  
WITH TOOL INTERFACE  
ON ROBOT HAND



PICTURE SHOWS PROTOTYPE

### Fast, no matter how long the work lasts

- 110 kg payload capacity
- reach 2403mm, max. height 2238mm
- 2200CPH at 60 kg payload (400-2000-400)
- optimised kinematics for efficient palletising
- slim design reduce required floor space to minimum
- based on the slim design very suitable to renew existing lines with high end palletising performance
- advanced servo technology for best motion performance
- global and uniform product support



# M-410iC/110

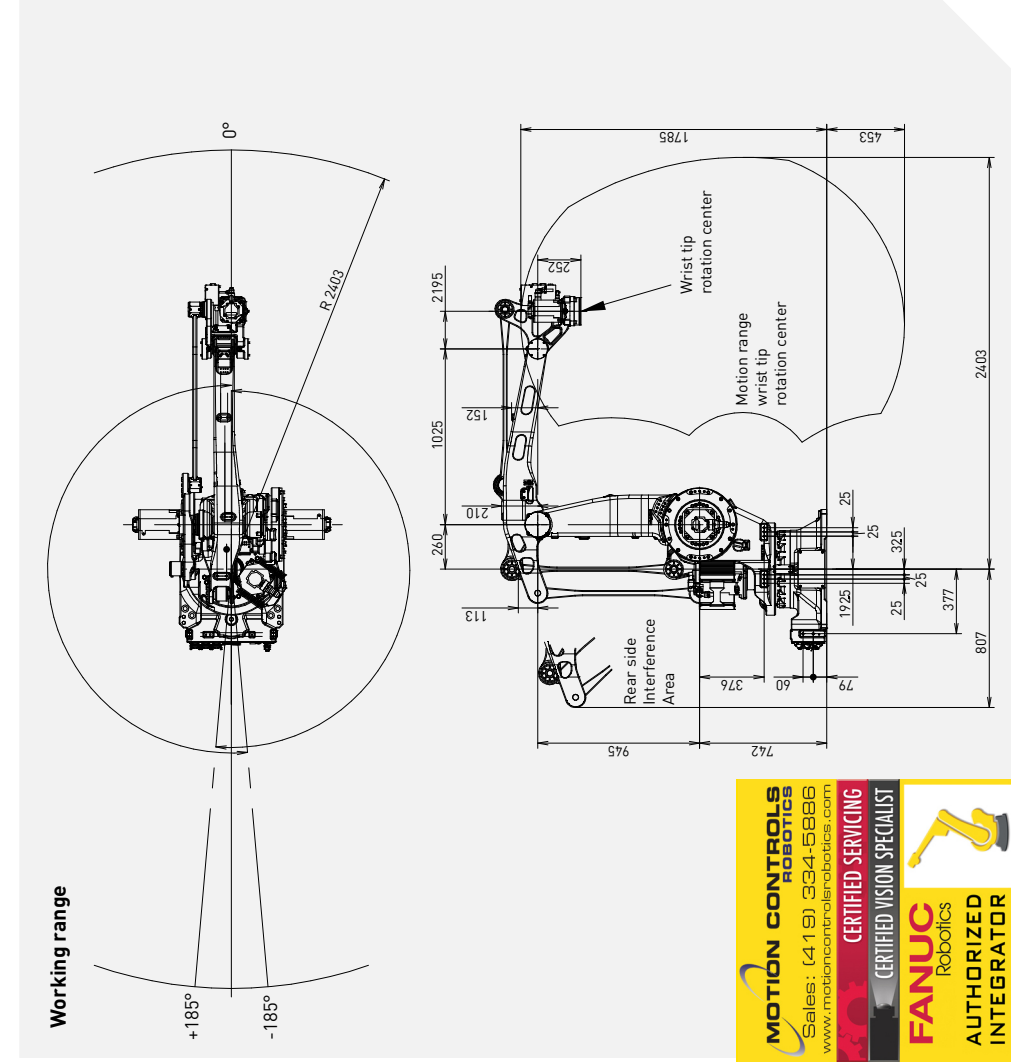


Max. load capacity at wrist: **110 kg**



Max. reach: **2403 mm**

Controlled axes	Repeatability (mm)	Mechanical weight (kg)	Motion range [°]						Maximum speed [°/s]						J4 Moment/Inertia (Nm/kgm <sup>2</sup> )	J5 Moment/Inertia (Nm/kgm <sup>2</sup> )	J6 Moment/Inertia (Nm/kgm <sup>2</sup> )
			J1	J2	J3	J4	J5	J6	J1	J2	J3	J4	J5	J6			
4	±0.2	1030	370	125	140	720	-	145	130	140	420	-	53	-	-		



## Robot

- Robot footprint [mm] **M-410iC/110**  
761 x 610
- Mounting position Floor
- Mounting position Upside down
- Mounting position Angle

## Controller

- Open air cabinet
- Mate cabinet
- A-cabinet
- B-cabinet
- iPendant Touch

## R30iB Plus

## Electrical connections

- Voltage 50/60Hz 3phase [V] 380-575
- Voltage 50/60Hz 1phase [V] -
- Average power consumption [kW] 3

## Integrated services

- Integrated signals on upper arm In/Out 8/8
- Integrated air supply 2

## Environment

- Acoustic noise level [dB] 75.3
- Ambient temperature [° C] 0-45

## Protection

- Body standard/optional IP54
- Wrist & J3 arm standard/optional IP54

## Load Capacity

- Max. load capacity at J2 base [Kg] 550
- Max. load capacity at J3 arm [Kg] \* 30

• standard    ○ on request    - not available    ( ) with hardware and/or software option  
\* payload capacity change when arm load is used

**MOTION CONTROLS ROBOTICS**  
Sales: (419) 334-5886  
www.motioncontrolsrobotics.com

**CERTIFIED SERVICING**  
**CERTIFIED VISION SPECIALIST**

**FANUC** Robotics  
**AUTHORIZED INTEGRATOR**